

Kingtronics®

YKT-00F

Hybrid Tantalum Capacitor (With Mounting flange)

FEATURES

- ◆ Tantalum case, Hermetically Sealed, Radial-lead, Heteropolarity, with mounting flange.
- ◆ Commingled by Electrolytic Tantalum Capacitor and Electrochemical Capacitor, Small size, Super Capacitance.
- ◆ Stable in Electrical Performances, High Reliability, Long life-span, Maximum in the Density of Capacitance and Energy.
- ◆ Built-in as battery in Energy-converted-circuit & Power-pulsed-circuit, functioned as filtering, storage energy, time-delay circuit.



SPECIFICATIONS

Operating Temperature	-55°C to +125°C (to +125°C, with rated voltage derating)
Storage Temperature	-62°C ~ +130°C
Capacitance Tolerance	K: (±10%), M: (±20%)

Electrical Characteristics

Rated Voltage (V)	Category Voltage (V)	Surge Voltage (V)	Cap. (µF)	tgδ (%)	ESR (Ω) 1kHz	DCL (µA)		Impedance at (Ω) 100Hz	Capacitance Change at (%)		Dimensions
						25°C	85°C, 125°C		-55°C	85°C	DxH (mm)
10	6	11	50000	180	0.050	150	900	1.0	-75	+140	35.5x8
			100000	180	0.035	300	1800		-80	+160	35.5x12
			150000	180	0.025	300	1800		-80	+160	35.5x16
			200000	190	0.025	400	1800		-80	+160	35.5x20
			230000	190	0.025	400	1800		-80	+160	35.5x24
16	9.5	17.6	30000	160	0.050	150	900	1.0	-70	+140	35.5x8
			60000	165	0.035	300	1800		-80	+160	35.5x12
			90000	165	0.025	300	1800		-80	+160	35.5x16
			120000	170	0.025	400	1800		-80	+160	35.5x20
			140000	170	0.025	400	1800		-80	+160	35.5x24
25	15	27.5	18000	120	0.050	150	900	1.0	-65	+120	35.5x8
			36000	130	0.040	300	1800		-75	+160	35.5x12
			54000	130	0.035	300	1800		-75	+160	35.5x16
			70000	140	0.025	400	1800		-75	+160	35.5x20
			86000	140	0.025	400	1800		-75	+160	35.5x24
35	20	38.5	12000	90	0.065	150	900	1.0	-50	+120	35.5x8
			24000	95	0.040	300	1800		-70	+160	35.5x12
			36000	95	0.035	300	1800		-70	+160	35.5x16
			50000	100	0.025	400	1800		-70	+160	35.5x20
			60000	100	0.025	400	1800		-70	+160	35.5x24
50	30	55	8000	65	0.070	170	1000	1.2	-40	+120	35.5x8
			16000	70	0.040	400	2400		-55	+135	35.5x12
			24000	70	0.035	400	2400		-55	+135	35.5x16
			30000	75	0.025	400	1600		-60	+160	35.5x20
			32000	75	0.025	400	1600		-60	+160	35.5x20
			33000	75	0.025	400	1600	-60	+160	35.5x24	

Kingtronics® International Company

Kingtronics®**YKT-00F**

Hybrid Tantalum Capacitor (With Mounting flange)

Electrical Characteristics

Rated Voltage (V)	Category Voltage (V)	Surge Voltage (V)	Cap. (μF)	tgδ (%)	ESR (Ω) 1kHz	DCL (μA)		Impedance at (Ω) 100Hz	Capacitance Change at (%)		Dimensions
						25 °C	85 °C, 125 °C		-55 °C	85 °C	DxH (mm)
63	38	70	1800	40	0.200	126	1000	1.4	-20	+60	35.5x8
			4000	45	0.100	170	1000		-30	+80	35.5x8
			8000	50	0.040	400	2400		-45	+90	35.5x12
			12000	50	0.035	400	2400		-45	+90	35.5x16
			16000	55	0.035	400	1600		-50	+100	35.5x20
			18000	55	0.035	400	1600		-50	+100	35.5x24
80	48	88	1600	20	0.150	100	1000	1.6	-20	+60	35.5x8
			2800	40	0.100	200	1200		-30	+80	35.5x8
			5600	40	0.060	500	3000		-40	+90	35.5x12
			8200	40	0.040	500	3000		-40	+90	35.5x16
			11000	45	0.035	500	2500		-40	+100	35.5x20
13000	45	0.035	500	2500	-40	+100	35.5x24				
100	60	110	1200	35	0.125	200	1200	1.8	-25	+60	35.5x8
			2400	35	0.080	500	3000		-30	+80	35.5x12
			3600	35	0.050	500	3000		-30	+80	35.5x16
			4800	40	0.035	500	2500		-30	+80	35.5x20
6000	40	0.035	500	2500	-30	+80	35.5x20				
110	66	121	580	35	0.200	200	1200	2.0	-20	+50	35.5x8
			1200	35	0.080	500	3000		-25	+60	35.5x12
			1800	35	0.075	500	3000		-25	+60	35.5x16
125	75	138	560	35	0.200	200	1200	2.4	-15	+50	35.5x8
			1100	30	0.080	500	3000		-25	+50	35.5x12
			1600	30	0.075	500	3000		-25	+50	35.5x16
			2200	35	0.050	500	2500		-25	+50	35.5x20
			2800	35	0.050	500	2500		-20	+40	35.5x24

Electrical Characteristics

Rated Voltage (V)	Category Voltage (V)	Surge Voltage (V)	Cap. (μF)	tgδ (%)	ESR (Ω) 1kHz	DCL (μA)		Impedance at (Ω) 100Hz	Capacitance Change at (%)		Dimensions
						25 °C	85 °C, 125 °C		-55 °C	-55 °C	85 °C
10	6	11	30000	120	0.4	200	1600	8	-70	+140	19x12
16	9.5	17.6	20000	120	0.4	200	1600	8	-70	+140	19x12
25	15	27.5	12000	90	0.4	200	1600	8	-60	+140	19x12
30	18	33	10000	85	0.45	200	1600	8	-60	+120	19x12
35	20	38.5	8000	60	0.45	150	1200	8	-55	+100	19x12
50	30	55	6000	50	0.45	200	1600	9.6	-55	+90	19x12
63	38	70	3300	40	0.55	200	1600	11.2	-30	+70	19x12
75	48	82.5	2200	35	0.65	160	1300	12.8	-25	+70	19x12
100	60	110	1000	35	0.85	100	800	14.4	-20	+30	19x12
125	75	138	600	30	1.5	75	600	19.2	-20	+30	19x12

Kingtronics® International Company

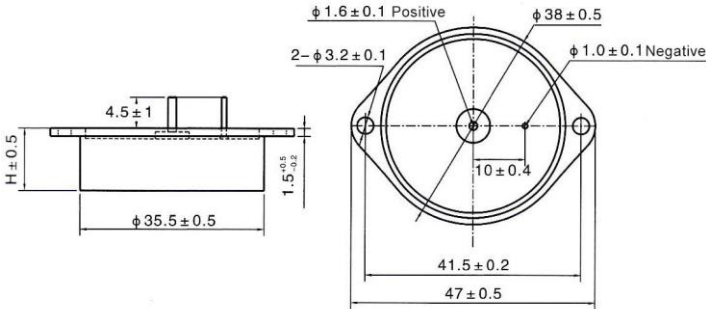
Kingtronics®

YKT-00F

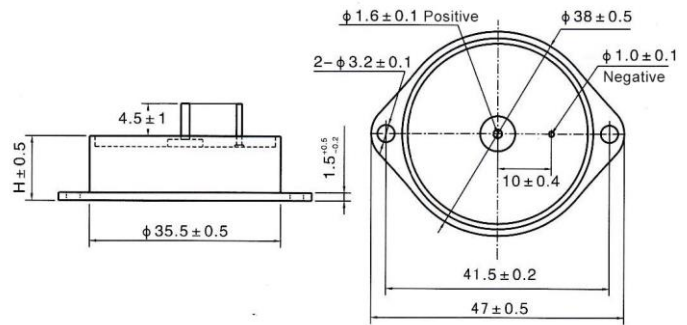
Hybrid Tantalum Capacitor (With Mounting flange)

Dimensions (unit: mm)

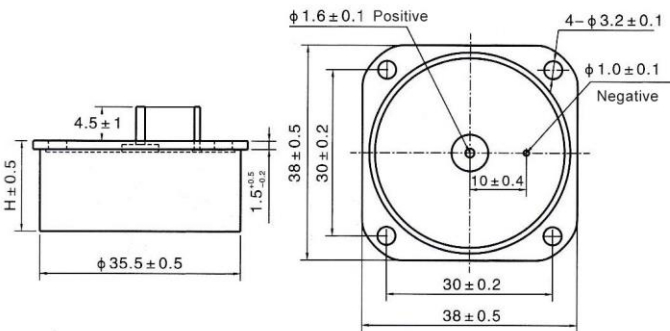
A Type



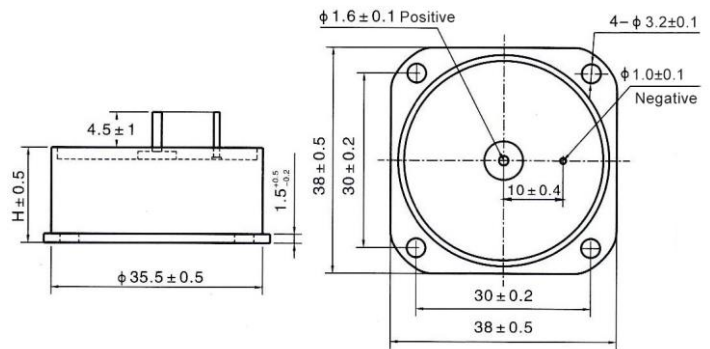
B Type



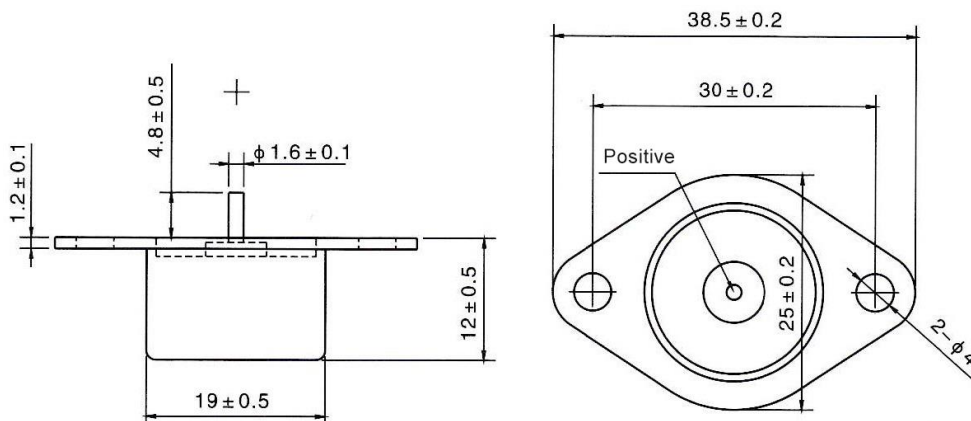
C Type



D Type



E Type



Note:

1. Please do not use multimeter through the measuring procedures (may cause irreversible damage and lead to discard)
2. Capacitance and DF measured at 100Hz, $U_- = 2.20^{0}_{-1.0}V$, $U_+ = 1.0^{0}_{-0.5}V$ Test only applied in series equivalent circuit
3. Voltage derating is applied at $+125^{\circ}C$. (The DCL parameter should be read after 5 minutes when it connected to the circuit)
4. Special size and demand could consult with us

Kingtronics® International Company

Website: www.kingtronics.com

Email: info@kingtronics.com

Tel: (852) 8106 7033

Fax: (852) 8106 7099

Kingtronics®

YKT-00F

Hybrid Tantalum Capacitor (With Mounting flange)

HOW TO ORDER

YKT	00F	1K	133	M	03550240	B	B
Series	Sub Series	Rated Voltage	Capacitance	Capacitance Tolerance	Dimension	Type	Packing
		1.	2.	3.	4.	5.	6.

NOTE:

1. Rated Voltage

Code	1A	1C	1E	1V	1H	1J	1K
Voltage	10V	16V	25V	35V	50V	63V	80V

2. Capacitance

Code	561	112	402	123	133	144
Capacitance (µF)	560	1100	4000	12000	13000	140000

3. Capacitance Tolerance

Code	K	M
Tolerance	±10%	±20%

4. Dimension

Code	03550080	03550120	03550160	03550200	03550240
Dimension (mm)	35.5x8	35.5x12	35.5x16	35.5x20	35.5x24

5. Type

Code	A	B	C	D	E
Type	A Type	B Type	C Type	D Type	E Type

6. Packing

Code	B
Packing	Bulk

Note: specification are subject to change without notice.

Kingtronics® International Company

Website: www.kingtronics.com Email: info@kingtronics.com Tel: (852) 8106 7033 Fax: (852) 8106 7099