

Kingtronics®

WKTS2050050D Tact Switches

FEATURES

- ◆ Type: SMD surface mounted tact switch
- ◆ Operation Life cycles: 100000

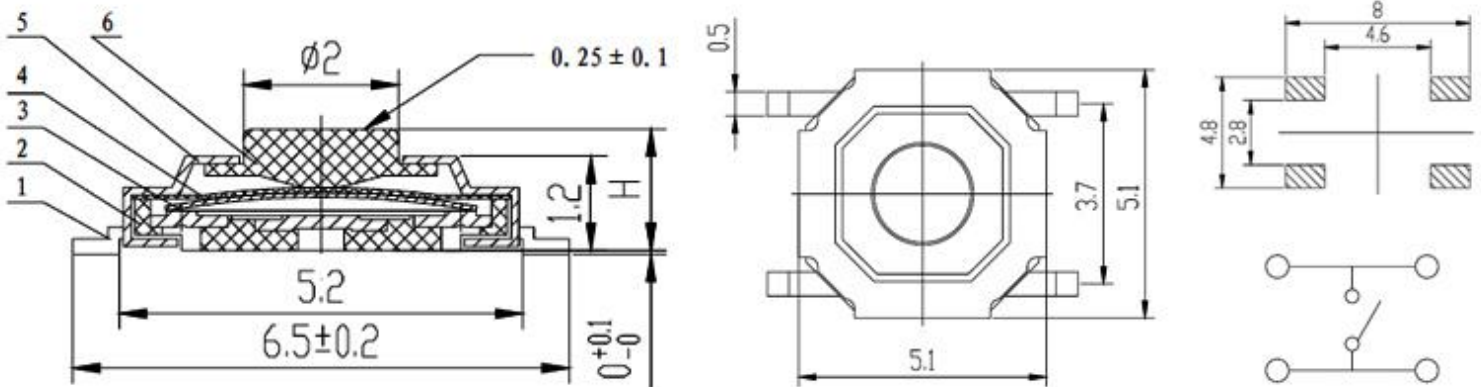


SPECIFICATIONS

Operating Temperature Range	-20°C to +70°C
Rated Current and Voltage	50mA. / 12V DC
Insulation Resistance	$\geq 100M\Omega$
Dielectric Strength	250V AC (50Hz or 60Hz) applied across terminals for one minute.
Contact Resistance	$\leq 100m\Omega$
Full Travel	$0.25 \pm 0.1mm$
Operating Force	$2.6 \pm 0.5N$

DRAWING (Unit: mm)

General tolerance : $\pm 0.2mm$



Remark: Below H are available on request, please consult with our salesman prior to ordering, thank you.
1.5mm, 1.6 mm

Note: Specifications are subject to change without notice.

Kingtronics® International Company

Website: www.kingtronics.com Email: info@kingtronics.com Tel: (852) 8106 7033 Fax: (852) 8106 7099

Kingtronics®

WKTS2050050D Tact Switches

HOW TO ORDER

WKT	A	1	060060	C	043	B	B	R
Series	Sub Series	Internal code	Size	Installation	Height	Operating Force	Packing	Pb
	1.	2	3.	4.	5.	6.	7.	8

NOTE:

1. Sub Series

Code Sub Series	A	B	G	R	S	W	Y	Z
DIP	Blue LED	Green LED	Red LED	SMD	White LED	Yellow LED	Waterproof	

2. Internal code

3. Size

Code	020040	030030	035060	045045	050050	060060	072068	120120
Size	2x4	3x3	3.5x6	4.5x4.5	5x5	6x6	7.2x6.8	12x12

4. Installation

Code	A	B	C	D	E	F	G
Installation	DIP	DIP with Ground Terminal	Horizontal with Bracket	SMD	2Pin DIP	Horizontal without Bracket	SMD with Bracket

5. Height

Code	015	016	025	038	043	050
Height	1.5	1.6	2.5	3.8	4.3	5
Code	058	070	090	095	110	125
Height	5.8	7	9	9.5	11	12.5

6. Operating Force

Code	A	B	C	D	E
Operating Force	1.0±0.3	1.6±0.5	2.6±0.5	1.3±0.3	2.0±0.5
Code	H	K	L	M	P
Operating Force	2.2±0.5	5.0±1.0	1.2±0.4	3.5±0.9	2.5±0.3
Code	Q	S	T		
Operating Force	1.6±0.3	1.8±0.5	2.3±0.3		

7. Packing

Code	A	B	T
Packing	Ammo	Bulk	Tape & Reel

8. Pb

Code	R
Pb	RoHS

Note: Specifications are subject to change without notice.

Kingtronics® International Company

Website: www.kingtronics.com

Email: info@kingtronics.com

Tel: (852) 8106 7033

Fax: (852) 8106 7099