

Kingtronics®

RKT-WQ Wirewound Resistor



RKT-WQ-10W



RKT-WQ-20W



RKT-WQ-25W



RKT-WQ-50W



RKT-WQ-75W



RKT-WQ-100W



RKT-WQ-150W



RKT-WQ-200W

Kingtronics® International Company

Website: www.kingtronics.com

Email: info@kingtronics.com

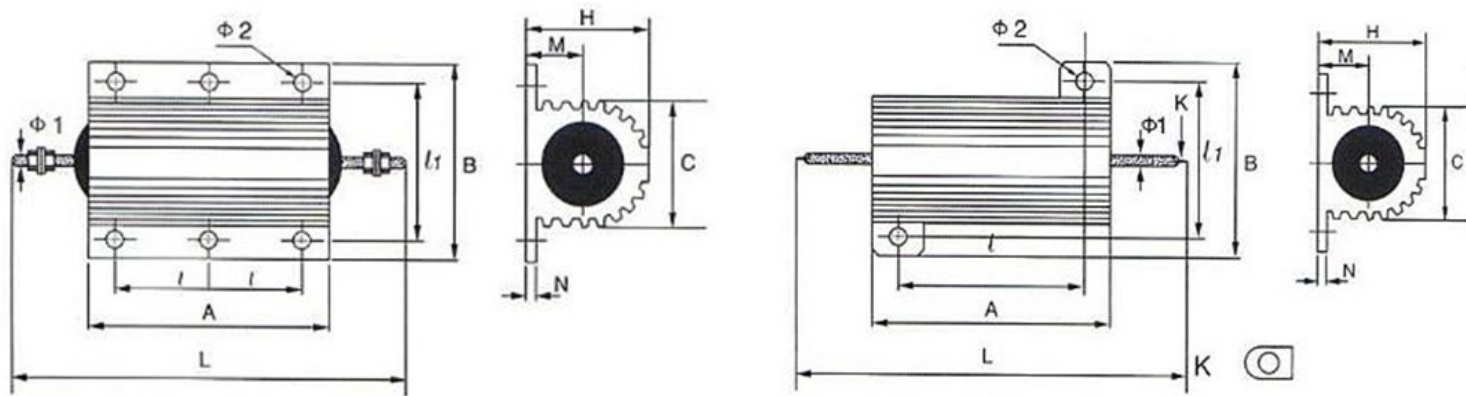
Tel: (852) 8106 7033

Fax: (852) 8106 7099

Kingtronics®

RKT-WQ Wirewound Resistor

Common Dimensions



Technical Specification

Type	Rated Power	Dimensions(mm)													
		Resistor Body											HeatSink		
		A max	B	L max	H max	C	L	L1	M	N	ø1	ø2	Surface Area(cm ²)	Thickness (mm)	
RKT-WQ	5	15.5	16	36.5	8	8.5	11.4	12	4.4	1.5	1.5	2.2	415	1	
	10(15)	19.5	21	40.5	10	11.2	14	16	5	2	2	2.5	415		
	20(15/25)	27	27	48	13	14.3	18.3	20	7	2	2	3.5	535		
	30(25)	34	29	55	15.5	16.3	25	22	7.3	2	2	3.5	535		
	50	50	30	72	15.5	16.3	0	20.5	7.3	2	2	3.5	995		
RKT-GQ	75/100	65.5	48	93.5	26	27	23.5	37	11.5	3.5	M3	4.4	995	3	
	100/150	98	48	126	26	27	35	37	11.5	3.5	M3	4.4	995		
	150	130	48	158	26	27	52	37	11.5	3.5	M3	4.4	995		
	200	92	73	132	45	46.5	35	58	21	5	M6	5.5	3750		
	250	112	73	152	45	46.5	45	58	21	5	M6	5.5	4765		
	300	130	73	170	45	46.5	51	58	21	5	M6	5.5	5780		
	500	204	73	244	45	46.5	87	58	21	5	M6	5.5	5800		

Kingtronics® International Company

Website: www.kingtronics.com Email: info@kingtronics.com Tel: (852) 8106 7033 Fax: (852) 8106 7099

Kingtronics®

RKT-WQ Wirewound Resistor

Main Characteristics

Type	Rated Power		Resistance Range(Ω)	Tolerance(%)	T.C.R.(×10 ⁻⁶ /°C)	Voltage(V)
	With Shell	Without Shell				
RKT-WQ	5	3	0.01~1K	±1 ±5	±100 ±50	1000
	10(15)	8	0.01~1.5K			
	20(15/25)	12.5	0.01~20K			
	30(25)	15	0.01~27K			
	50	20	0.01~33K			
RKT-GQ	75	45	0.01~39K			
	100	50	0.01~51K			
	150	55	0.01~56K			
	200	50	0.01~62K			
	250	60	0.01~68K			
	300	75	0.01~75K			
	500	200	0.01~82K			

Note: Specifications are subject to change without notice.

Kingtronics® International Company

Website: www.kingtronics.com Email: info@kingtronics.com Tel: (852) 8106 7033 Fax: (852) 8106 7099