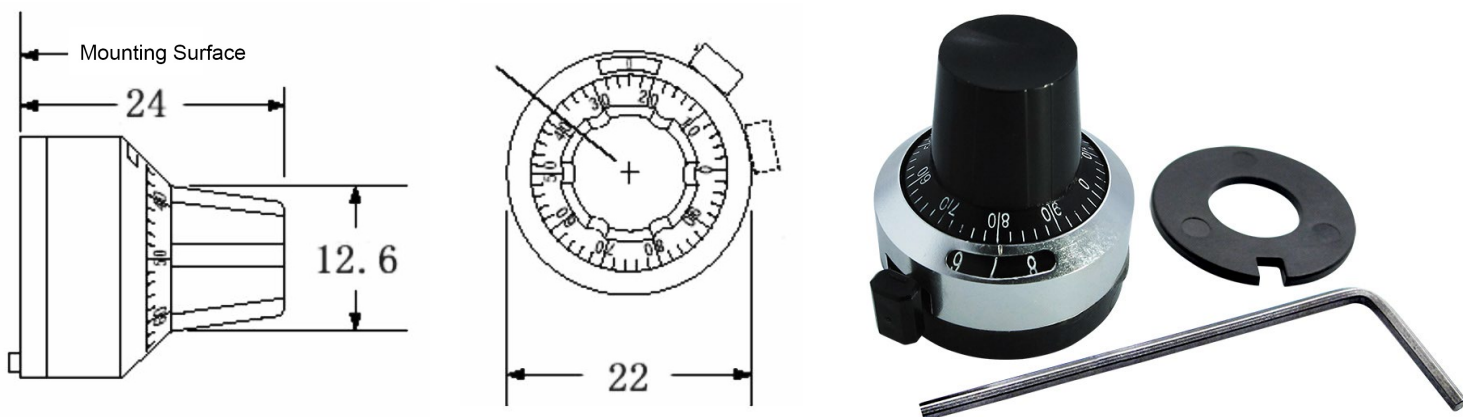


Common Dimensions



External Diameter(mm)	Height(mm)	Axle Hole Diameter(mm)	Shaw Center Distance	Number of turns	Character displaying on Window	Fixed Type
22mm	24mm	6.35mm 4mm	9mm	0~9	1/3 digits	Fixed by Screw

Note: Specifications are subject to change without notice.