

Kingtronics®

RKT-WIW22S Wirewound Potentiometer

Electrical Characteristics

Range of nominal resistance	5Ω~2MΩ
Resistance tolerance	±10%, ±5%(customization)
Terminal resistance	≤±1%R or 2Ω
Contact resistance variation (CRV)	≤±1%R or 3Ω
Insulation resistance	≥ 1GΩ (100VAC)
Withstand voltage	101.3 KPa 500V; 8.5 KPa 350V
Rated power	0.5W (250Vmax)

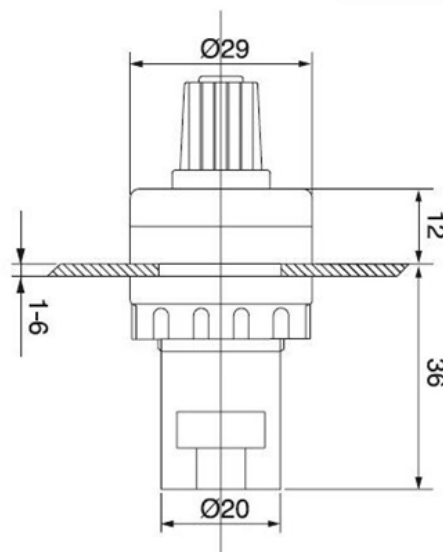
Environment Characteristics

Temperature range	-55°C~+125°C
Temperature Coefficient	±250, ±100ppm/°C
Collision (390m/S2, 4000 times)	ΔR≤±1%R
Vibration (10-500HZ, 0.75mm, 6h)	ΔR≤±1%R, ΔUab/Uac≤±2%R, Electrical break≤100μS
Temperature variation (-55°C/30min, +125°C/30min, 5 cycles)	ΔR≤±2%R, ΔUab/Uac≤±2%R
Climate category (IEC68-2-2)	ΔR≤± (5%R+0.1Ω), Insulation Resistance≥100MΩ
Electrical endurance (0.5W, 1000h)	ΔR≤± (5%R+0.1Ω), CRV≤±3%R or 5Ω
Mechanical endurance (200 cycles)	ΔR≤± (10%R+0.5Ω), CRV≤±3%R or 5Ω
Steady damp heat (IEC68-2-3, Ca, 96h)	ΔR≤± (5%R+0.1Ω), Insulation Resistance≥100MΩ

Physical Characteristics

Total mechanical travel	260°±5°
Mounting Hole Diameter	22mm
Waterproof	IP65

Common Dimensions



Note: Specifications are subject to change without notice.

Kingtronics® International Company

Website: www.kingtronics.com Email: info@kingtronics.com Tel: (852) 8106 7033 Fax: (852) 8106 7099