

# Kingtronics®

## RKT-WC

### Wirewound Potentiometer

#### Electrical Characteristics

|                                    |                                 |
|------------------------------------|---------------------------------|
| Range of nominal resistance        | 5Ω~2MΩ                          |
| Resistance tolerance               | ±10%, ±5%(customization)        |
| Terminal resistance                | ≤±1%R or 2Ω                     |
| Contact resistance variation (CRV) | ≤±1%R or 3Ω                     |
| Insulation resistance              | ≥ 1GΩ (100VAC)                  |
| Withstand voltage                  | 101.3 KPa 500V;<br>8.5 KPa 350V |
| Rated power                        | 1W max (250Vmax)                |

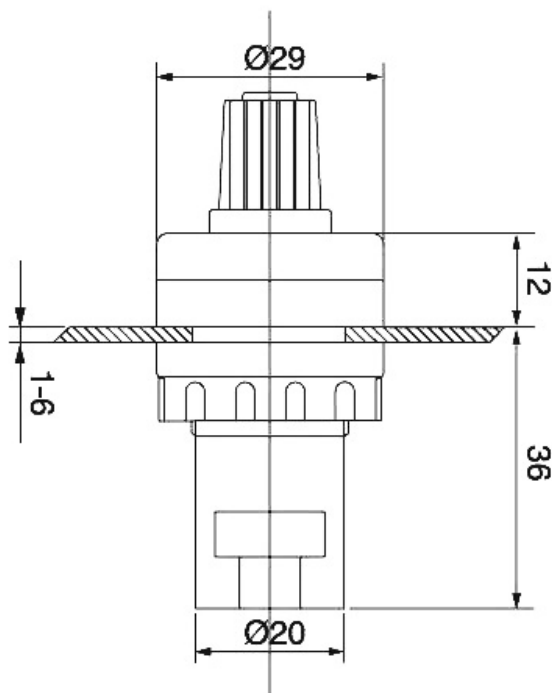
#### Environment Characteristics

|   |  |
|---|--|
| Temperature range   | -55°C~+125°C   |
| Temperature Coefficient   | ±250, ±100ppm/°C                                     |
| Collision<br>(390m/S2, 4000 times)                                | ΔR≤±1%R  |
| Vibration<br>(10-500HZ, 0.75mm, 6h)                               | ΔR≤±1%R,<br>ΔUab/Uac≤±2%R,<br>Electrical break≤100μS |
| Temperature variation<br>(-55°C/30min,<br>+125°C/30min, 5 cycles) | ΔR≤±2%R,<br>ΔUab/Uac≤±2%R                            |
| Climate category (IEC68-2-2)                                      | ΔR≤± (5%R+0.1Ω),<br>Insulation Resistance≥100MΩ      |
| Electrical endurance (0.5W, 1000h)                                | ΔR≤± (5%R+0.1Ω),<br>CRV≤±3%R or 5Ω                   |
| Mechanical endurance<br>(200 cycles)                              | ΔR≤± (10%R+0.5Ω),<br>CRV≤±3%R or 5Ω                  |
| Steady damp heat<br>(IEC68-2-3, Ca, 96h)                          | ΔR≤± (5%R+0.1Ω),<br>Insulation Resistance≥100MΩ      |

#### Physical Characteristics

|                         |         |
|-------------------------|---------|
| Total mechanical travel | 260°±5° |
| Mounting Hole Diameter  | 22mm    |
| Waterproof              | IP65    |

#### Common Dimensions



Note: Specifications are subject to change without notice.

**Kingtronics® International Company**

Website: [www.kingtronics.com](http://www.kingtronics.com)

Email: [info@kingtronics.com](mailto:info@kingtronics.com)

Tel: (852) 8106 7033

Fax: (852) 8106 7099