

Kingtronics®

QKT - HC49S QUARTZ CRYSTAL

FEATURES

- Low cost, Good aging
- Wide frequency range, Pb-free & RoHS Compliance

PICTURE



SPECIFICATIONS

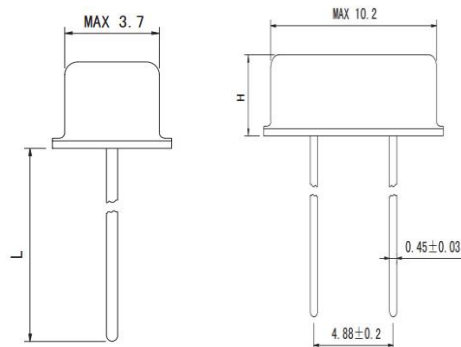
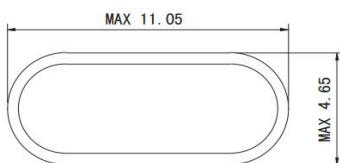
Holder Type	HC-49S
Frequency Range	3.200 to 100.000 MHZ
Operating Temperature Range	-20°C - +70°C / -40°C - +85°C
Storage Temperature Range	-40°C - +85°C/-55°C - +125°C
Drive Level	100uW typical
Load Capacitance	8pF-32pF or Suggested by customer
Frequency Tolerance	±10ppm to ±30ppm or custom-designed
Frequency Stability	±50ppm or custom-designed
Shunt Capacitance	7.0pF max
Insulation Resistance	500MΩ Min. at DC 100V
Aging First Year	±3ppm/ year Maximum

EQUIVALENT SERIES RESISTANCE(ESR) AND MODE OF OPERATION

Frequency Range	ESR(Ω)	Mode
3.200 ≤ f < 3.579 MHZ	250max	Fundamental
3.579 ≤ f < 4.000 MHZ	150max	Fundamental
4.000 ≤ f < 5.000 MHZ	120max	Fundamental
5.000 ≤ f < 6.000 MHZ	100max	Fundamental
6.000 ≤ f < 7.000 MHZ	80max	Fundamental
7.000 ≤ f < 10.000 MHZ	60max	Fundamental
10.000 ≤ f < 14.000 MHZ	50max	Fundamental
14.000 ≤ f < 20.000 MHZ	40max	Fundamental
20.000 ≤ f < 48.000 MHZ	30/40 (BT cut) Max	Fundamental
35.000 ≤ f < 40.000 MHZ	100max	3rd Overtone
40.000 ≤ f < 100.000 MHZ	80max	3rd Overtone

MECHANICAL DIMENSIONS: Unit: mm

- H: S=3.38mm MAX
- S2=2.8mm MAX
- S3=2.5mm MAX
- L: 13.2±1mm or 20.0mm Typical
- (For taping, only 20.0mm suitable)



Note: Specifications are subject to change without notice.

Kingtronics® International Company