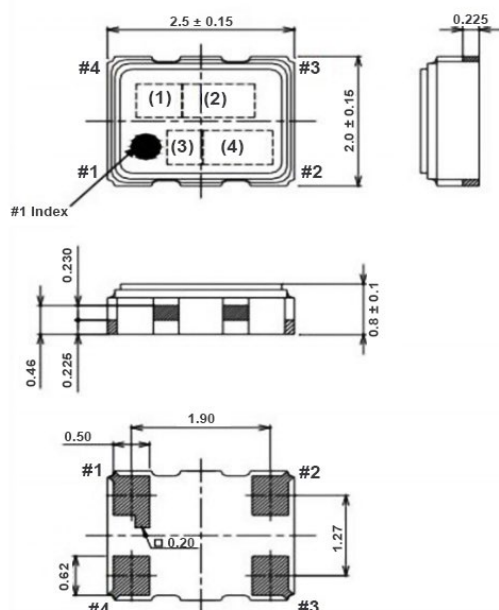


Kingtronics®**QKT-2T2520**
THERMOTONIC CRYSTAL
OSCILLATOR TCXO**FEATURES**

- Miniature 2.5×2.0 mm/ Ceramic Package
- Low Voltage Operation
- Low phase noise
- High Stability
- Low power consumption

PICTURE**ELECTRICAL SPECIFICATIONS**

Frequency Range	13MHz to 52 MHz
Temperature Stability	±0.5ppm
Operating Temperature Range	-40°C ~ +85°C
Power Supply Voltage	1.8~3.3V DC ±10%.
Frequency Tolerance	±1.5ppm
Load Variation	(10KΩ//10PF) ±10%
Symmetry	45% to 55%
Output Voltage Level	VOL: 70%Vcc max. / VOH: 30%Vcc min.
Rise/ Fall Time	-134dBc/Hz
Start-up Time	2ms max.
Current	1.5mA
Storage Temperature Range	-55°C ~ +125°C
Aging (at 25°C)	±2ppm/year max.

MECHANICAL DIMENSIONS: Unit: mm

Pin connection

Name	Connection
Pin 1	GND
Pin 2	GND
Pin 3	OUTPUT
Pin 4	V _{CC}

Unit: mm

Dimensional Tolerance: ±0.15

(Unless otherwise noted)

Note: Specifications are subject to change without notice.

Kingtronics® International Company