

Kingtronics®

GKT-VG

Aluminum Electrolytic Capacitor-SMD

FEATURES

- ◆ $\phi 5 \sim \phi 10$, 105°C, 7000 hours assured
- ◆ Low impedance capacitors, Long life assured
- ◆ Designed for reflow soldering
- ◆ Designed for surface mounting on high-density PCB

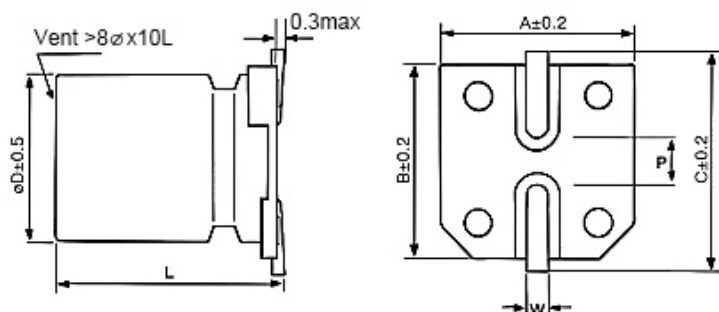


Specifications

Category Temp. Range	-25°C ~ +105°C							
Capacitance Tolerance	±20% (120 Hz / +20°C)							
Leakage Current	$I \leq 0.01 CV$ or $3\mu A$ whichever is greater (after 2 minutes)							
Tan δ	Please see the attached characteristics list							
Characteristics at Low Temperature	Rated Voltage (V)	6.3	10	16	25	35	50	Impedance ratio at 120 Hz
	Z (-25°C) / Z (+20°C)	4	3	2	2	2	2	
Endurance	After applying rated working voltage for 7000 hours at +105°C ± 2°C, and then being stabilized at +20°C, capacitors shall meet the following limits.							
	Capacitance change	Within ±30% of the initial value						
	Dissipation factor (tan δ)	Less than 300% of the initial value						
Shelf Life	After storage for 1000 h at +105°C ± 2°C with no voltage applied and then being stabilized at +20°C, capacitors shall meet the limits specified in endurance.							
	Capacitance change	Within ±10% of the initial value						
	Dissipation factor (tan δ)	Within the initial limit						
Resistance to Soldering Heat	After reflow soldering and then being stabilized at +20°C, capacitors shall meet the following limits.							
	Capacitance change	Within ±10% of the initial value						
	Dissipation factor (tan δ)	Within the initial limit						
Frequency Correction Factor for Ripple Current	Frequency	50Hz	120Hz	1kHz	10kHz			
	Correction Factor	0.35	0.5	0.8	1.0			

DRAWING (Unit: mm)

Kt logo mark for D:4mm & 5mm is [K] Product Markings: KtG, KG, JZ



Dimensions						Unit: mm
ϕD	L	A	B	C	W	P±0.2
5	7±0.3	5.3	5.3	6.1	0.5~0.8	1.3
6.3	7±0.3	6.6	6.6	7.3	0.5~0.8	2.2
6.3	8.7±0.3	6.6	6.6	7.3	0.5~0.8	2.2
8	10.5±0.5	8.3	8.3	9.2	0.7~1.2	3.2
10	10.5±0.5	10.3	10.3	11.2	0.7~1.2	4.4

Kingtronics® International Company

Kingtronics®**GKT-VG**

Aluminum Electrolytic Capacitor–SMD

Rated Voltage (V)	Capacitance (±20%) (µF)	Case size		Specification		
		øD (mm)	L (mm)	Rated ripple current ^① (mA rms)	Imp. ^② (Ω)	tan δ ^③
6.3	47	5	7	95	2.2	0.32
	100	6.3	7	140	1.1	0.32
	220	6.3	8.7	230	1.0	0.32
	330	6.3	8.7	230	1.0	0.32
	470	8	10.5	600	0.22	0.32
10	33	5	7	95	2.2	0.28
	150	6.3	7	140	1.1	0.28
16	22	5	7	95	2.2	0.26
	47	6.3	7	140	1.1	0.26
	100	6.3	7	140	1.1	0.26
	150	6.3	8.7	230	1.0	0.26
	220	6.3	8.7	230	1.0	0.26
	330	8	10.5	600	0.22	0.26
	470	8	10.5	600	0.22	0.26
25	22	5	7	95	2.2	0.16
	33	6.3	7	140	1.1	0.16
	47	6.3	7	140	1.1	0.16
	100	6.3	8.7	230	1.0	0.16
	220	8	10.5	600	0.22	0.16
	330	8	10.5	600	0.22	0.16
	470	10	10.5	850	0.16	0.16
35	10	5	7	95	2.2	0.14
	22	5	7	95	2.2	0.14
	33	6.3	8.7	230	1.0	0.14
	47	6.3	8.7	230	1.0	0.14
	220	8	10.5	600	0.22	0.14
	330	10	10.5	850	0.16	0.14
	50	47	8	10.5	350	0.53
100		8	10.5	350	0.53	0.14
220		10	10.5	670	0.35	0.14

1. Rated ripple current (100kHz / +105°C)

2. Impedance (100kHz / +20°C)

3. tan δ (120Hz / +20°C)

Note: Specifications are subject to change without notice.

Kingtronics® International CompanyWebsite: www.kingtronics.comEmail: info@kingtronics.com

Tel: (852) 8106 7033

Fax: (852) 8106 7099