

Kingtronics®

GKT-MR

Conductive Polymer Hybrid Capacitors

FEATURES

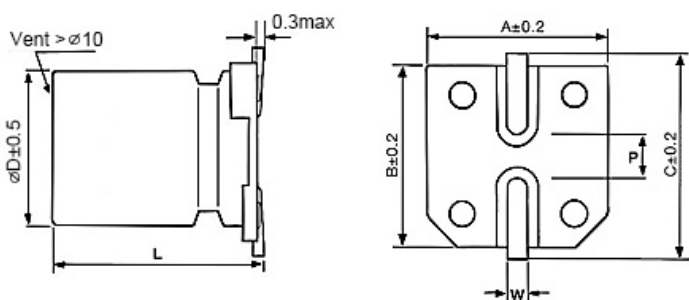
- ◆ ϕ 6.3 ~ ϕ 10, 125°C, 4000 hours assured
- ◆ Low ESR and high ripple current
- ◆ Designed for reflow soldering
- ◆ Can meet IATF16949
- ◆ Can meet AEC-Q200 compliant



SPECIFICATIONS

Category temp. range	-55°C to +125°C						
Capacitance tolerance	±20% (120 Hz / +20°C)						
Leakage current	$I \leq 0.01 CV$ or $3\mu A$ whichever is greater (after 2 minutes)						
Tan δ	Please see the attached characteristics list						
Characteristics at low Temperature	Rated Voltage (V)	25	35	50	63	80	Impedance ratio at 120 Hz
	Z (-25°C) / Z(+20°C)	2.0	2.0	2.0	2.0	2.0	
	Z (-55°C) / Z(+20°C)	2.5	2.5	2.5	2.5	2.5	
Endurance	After applying rated working voltage and rated ripple current for 4000 hours at +125°C ± 2°C, and then being stabilized at +20°C, capacitors shall meet the following limits.						
	Capacitance change	Within ±30% of the initial value					
	Dissipation factor (tan δ)	Less than 200% of the initial value					
	ESR	Less than 200% of the initial value					
Shelf life	After storage for 1000 h at +125°C ± 2°C with no voltage applied and then being stabilized at +20°C, capacitors shall meet the limits specified in endurance.						
	After reflow soldering and then being stabilized at +20°C, capacitors shall meet the following limits.						
Resistance to soldering heat	Capacitance change	Within ±10% of the initial value					
	Dissipation factor (tan δ)	Within the initial limit					
	ESR	Within the initial limit					
	Leakage current	Within the initial limit					
Frequency correction factor for ripple current	Frequency	120 ≤ f < 1k	1k ≤ f < 10k	10k ≤ f < 100k	100k ≤ f < 500k		
	Correction Factor	0.1	0.3	0.6	1.0		

Dimensions :



Dimensions						Unit: mm	
ϕD	L	A	B	C	W	P ± 0.2	
6.3	6 ± 0.5	6.6	6.6	7.2	0.5~0.8	2.0	
6.3	7.7 ± 0.5	6.6	6.6	7.2	0.5~0.8	2.0	
8	6.5 ± 0.5	8.3	8.3	9.2	0.7~1.2	3.2	
8	10 ± 0.5	8.3	8.3	9.2	0.7~1.2	3.2	
10	10.5 ± 0.5	10.3	10.3	11.2	0.7~1.2	4.4	

Kingtronics® International Company

Kingtronics®**GKT-MR**

Conductive Polymer Hybrid Capacitors

Rated voltage (V)	Capacitance (±20%)(μF)	Case size		Specification		
		øD(mm)	L(mm)	Rated ripple current①(mA rms)	ESR②(mΩ)	tan δ③
25	47	6.3	6	900	50	0.14
	56	6.3	6	900	50	0.14
	68	6.3	6	900	50	0.14
		6.3	7.7	1400	30	0.14
	82	6.3	6	900	50	0.14
	100	6.3	7.7	1400	30	0.14
	150	6.3	7.7	1400	30	0.14
		8	10	1600	27	0.14
	220	8	10	1600	27	0.14
	270	8	10	1600	27	0.14
	330	8	10	1600	27	0.14
10		10.5	2000	20	0.14	
470	10	10.5	2000	20	0.14	
35	33	6.3	6	900	60	0.12
	47	6.3	6	900	60	0.12
	56	6.3	6	900	60	0.12
	68	6.3	7.7	1400	35	0.12
	100	6.3	7.7	1400	35	0.12
		8	10	1600	27	0.12
	150	8	10	1600	27	0.12
	180	8	10	1600	27	0.12
	220	10	10.5	2000	20	0.12
	270	10	10.5	2000	20	0.12
330	10	10.5	2000	20	0.12	
50	22	6.3	6	750	80	0.10
	33	6.3	7.7	1100	40	0.10
	47	8	10	1250	30	0.10
	68	8	10	1250	30	0.10
	100	8	10	1250	30	0.10
		10	10.5	1600	28	0.10
	120	10	10.5	1600	28	0.10
	150	10	10.5	1600	28	0.10
63	10	6.3	6	700	120	0.08
	22	6.3	7.7	900	80	0.08
	33	8	10	1100	40	0.08
	47	8	10	1100	40	0.08
	56	10	10.5	1400	30	0.08
	68	10	10.5	1400	30	0.08
	82	10	10.5	1400	30	0.08
	100	10	10.5	1400	30	0.08
80	22	8	10	1050	45	0.08
	33	8	10	1050	45	0.08
		10	10.5	1200	36	0.08
	47	10	10.5	1200	36	0.08
	56	10	10.5	1200	36	0.08

① Rated ripple current (100kHz / +105°C)

② Impedance (100kHz / +20°C)

③ tan δ (120Hz / +20°C)

Note: Specifications are subject to change without notice.

Kingtronics® International CompanyWebsite: www.kingtronics.comEmail: info@kingtronics.com

Tel: (852) 8106 7033

Fax: (852) 8106 7099