

Kingtronics®

GKT-AD

Aluminum Electrolytic Capacitor – Axial

FEATURES

- ◆ Non-Polarized (Bi-Polarized)

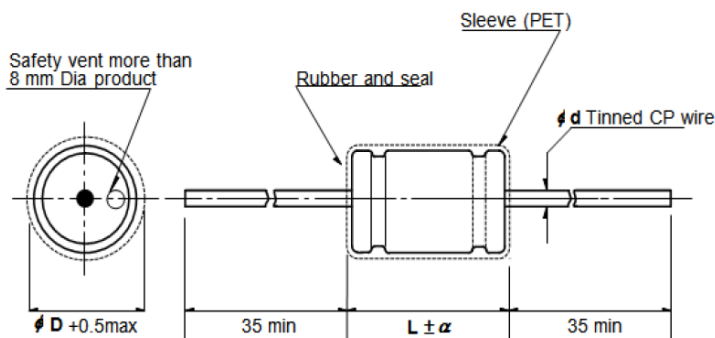


SPECIFICATIONS

Operating Temperature Range (°C)	-40°C ~ +105°C	
Capacitance Tolerance	±10% (K), ±20% (M) (at 1KHz)	
Voltage Range	50V, 100V.DC	
Leakage Current (20°C)	Axial Type	MAX. 0.03CV + 3µA (after 5 minutes application of rated working voltage)
	Axial Spot Type	MAX. 0.04CV + 3µA (after 5 minutes application of rated working voltage)
Max Dissipation Factor	MAX 15% at 1KHZ	
Load Life Test	After 1,000 hours application of rated voltage at 105 ± 2°C, capacitors meet the characteristics requirement listed as below:	
	(a)	Capacitance change: Within ±25% of initial
	(b)	Tanδ: 200% or less of initial specified
	(c)	Leakage current: Install specified value or less

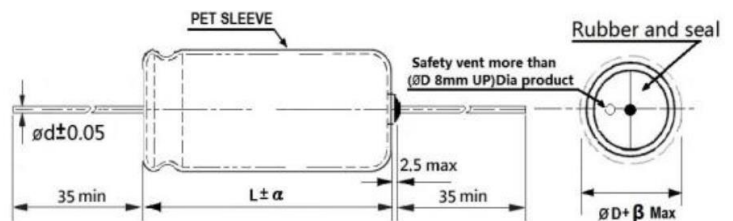
DIMENSIONS (mm)

Axial Type



ØD	6.3	8	10	13	16	18	22	25
Ød	0.6	0.6	0.6	0.8	0.8	0.8	0.8	0.8
α	0.8	0.8	1.5	2.0	2.0	2.0	2.0	2.0

Axial Spot Type



ØD	6.3	8	10	13	16	18	22	25
Ød	0.6	0.6	0.6	0.6	0.8	0.8	0.8	0.8
α	1.5	1.5	2.0	2.0	2.0	2.0	2.0	2.0
β	0.5	0.5	1.0	1.0	1.0	1.0	1.0	1.0

Kingtronics® International Company

Website: www.kingtronics.com

Email: info@kingtronics.com

Tel: (852) 8106 7033

Fax: (852) 8106 7099

Kingtronics®**GKT-AD**

Aluminum Electrolytic Capacitor – Axial

CASE SIZE**DIMENSIONS: Diameter (ØD) x Length (L) mm**

Type	Axial Type		Axial Spot Type	
	50V (1H)	100V (2A)	50V (1H)	100V (2A)
V.DC	ØDxL	ØDxL	ØDxL	ØDxL
µF	ØDxL	ØDxL	ØDxL	ØDxL
1.0	6x16	6x16	6.3x13	6.3x13
1.5	6x16	6x16	6.3x13	6.3x13
2.2	6x16	8x17	6.3x13	8x13
3.3	6x16	8x17	6.3x13	8x13
4.7	6x16	8x17	6.3x13	8x13
5.6	6x16	8x17	6.3x13	8x13
6.8	8x17	8x19	8x13	10x17
8.2	8x17	8x19	8x13	10x17
10	8x17	8x19	8x13	10x17
15	8x19	10x19	8x13	10x21
22	10x19	10x19	10x17	10x21
33	10x24	10x24	10x21	13x22
47	10x24	13x27	10x21	13x22
68	13x27	13x27	13x22	13x27
75	13x27	13x27	13x22	13x27
82	13x27	13x31	13x22	16x28
100	13x27	13x31	13x22	16x28
120	13x27	16x34	13x22	16x28
150	13x31	16x34	13x27	16x33
220	13x31	16x34	13x27	18x40

Kingtronics® International CompanyWebsite: www.kingtronics.comEmail: info@kingtronics.com

Tel: (852) 8106 7033

Fax: (852) 8106 7099

Kingtronics®**GKT-AD**

Aluminum Electrolytic Capacitor – Axial

HOW TO ORDER

<u>GKT</u>	<u>AD</u>	<u>1H</u>	<u>010</u>	<u>M</u>	<u>00630130</u>	<u>000</u>	<u>A</u>	<u>B</u>	<u>R</u>
Series	Sub Series	Rated Voltage	Capacitance	Capacitance Tolerance	Dimension	Lead Length	Type	Packing	Pb
		1.	2.	3.	4.	5.	6.	7.	8.

NOTE:**1. Rated Voltage**

Code	1H	2A
Voltage	50V	100V

2. Capacitance

Code	010	2R2	3R3	4R7	100	220	330	470	101	221
Capacitance (µF)	1	2.2	3.3	4.7	10	22	33	47	100	220

3. Capacitance Tolerance

Code	K	M
Tolerance	±10%	±20%

4. Dimension

Code	00630130	00800130	01300220	01600280
Dimension (mm)	6.3x13	8x13	13x22	16x28

5. Lead Length

Code	000
Lead Length	Standard

6. Type

Code	A	S
Type	Axial Type	Axial Spot Type

7. Packing

Code	B	T
Packing	Bulk	Tape & Reel

8. Pb

Code	L	R
Pb	Leaded	RoHS

Note: Specifications are subject to change without notice.

Kingtronics® International CompanyWebsite: www.kingtronics.com Email: info@kingtronics.com Tel: (852) 8106 7033 Fax: (852) 8106 7099