

Kingtronics®

YKT-2W3

Hybrid Tantalum Capacitor

FEATURES

- ◆ Tantalum case, Hermetically Sealed, Cylindrical, Radial-lead, Heteropolarity, with 3 screws 120° angle structure convenient to fix.
- ◆ Commingled by Electrolytic Tantalum Capacitor and Electrochemical Capacitor, Small size, Super Capacitance.
- ◆ Stable in Electrical Performances, High Reliability, Long life-span, Maximum in the Density of Capacitance and Energy, Nominal Capacitance is higher than YKT-1W0 series.
- ◆ Built-in as battery in Energy-conversed-circuit & Power-pulsed-circuit, functioned as filtering, storage energy, time-delay circuit.

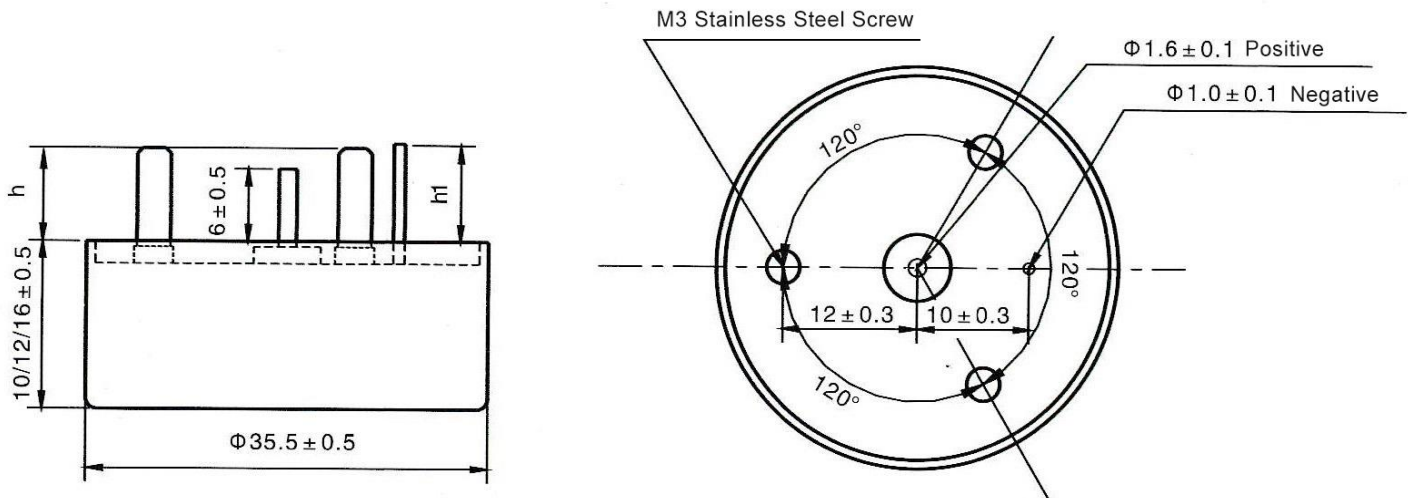


SPECIFICATIONS

Operating Temperature	-55°C to +125°C (to +125°C, with rated voltage derating)
Storage Temperature	-62°C ~ +130°C
Capacitance Tolerance	Q: (-10%~+30%), K: (±10%), M: (±20%)

Electrical Characteristics													
Rated Voltage (V)	Category Voltage (V)	Surge Voltage (V)	Cap. (μF)	tgδ (%)	ESR (Ω) 1kHz	DCL (μA)		Impedance at (Ω) 100Hz	Capacitance Change at (%)		Dimensions		
						25°C	85°C		-55°C	-55°C	+85°C	DxH (mm)	h (mm)
50	30	55	24000	70	0.035	400	2400	1.2	-55	+135	35.5x16	8±0.5	6±0.5
75	45	82.5	3000	20	0.06	200	1200	1.6	-15	+30	35.5x10	8±0.5	12min
75	45	82.5	10000	40	0.06	500	3000	1.6	-45	+95	35.5x16	8±0.5	14±0.5
80	40	88	5600	40	0.06	500	3000	1.6	-40	+90	35.5x12	6±0.5	6±0.5

DIMENSIONS (mm)



Note:

1. Please do not use multimeter through the measuring procedures (may cause irreversible damage and lead to discard).
2. Capacitance and DF measured at 100Hz, $U_{-}=2.20_{-1.0}^0V$, $U_{+}=1.0_{-0.5}^0V$ Test only applied in series equivalent circuit.
3. Voltage derating is applied at +125°C. (The DCL parameter should be read after 5 minutes when it connected to the circuit).
4. Special size and demand could consult with us

Note: Specifications are subject to change without notice.

Kingtronics® International Company