

Kingtronics®

YKT-2FB

Hybrid Tantalum Capacitor (With Mounting flange)

FEATURES

- ◆ Tantalum case, Hermetically Sealed, Cylindrical, Radial-lead, Heteropolarity, with mounting flange.
- ◆ Commingled by Electrolytic Tantalum Capacitor and Electrochemical Capacitor, Small size, Super Capacitance.
- ◆ Stable in Electrical Performances, High Reliability, Long life-span, Maximum in the Density of Capacitance and Energy.
- ◆ Built-in as battery in Energy-converted-circuit & Power-pulsed-circuit, functioned as filtering, storage energy, time-delay circuit.

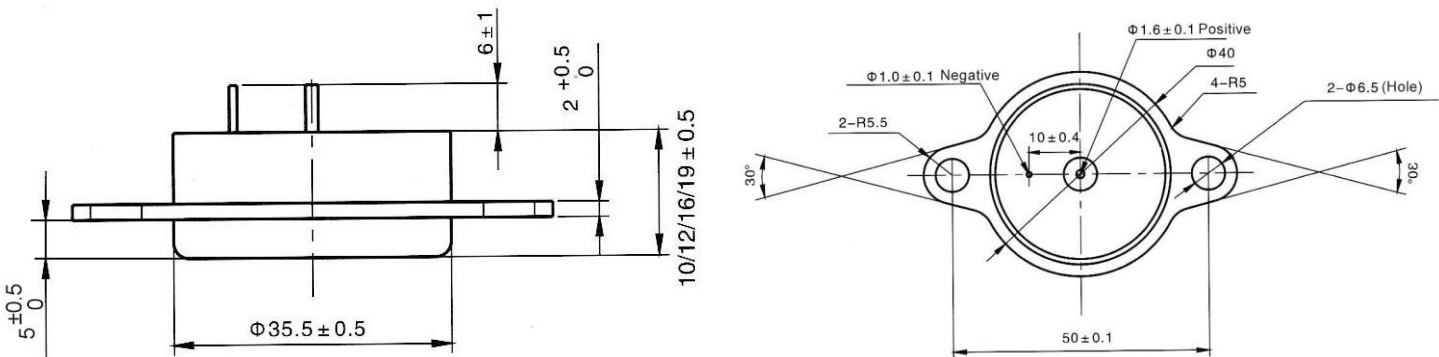


SPECIFICATIONS

Operating Temperature	-55°C to +125°C (to +125°C, with rated voltage derating)
Storage Temperature	-62°C ~ +130°C
Capacitance Tolerance	Q: (-10%~+30%), K: (±10%), M: (±20%)

Dimensions (unit: mm)

Φ35.5x10/12/16/19 Layout



Kingtronics® International Company

Kingtronics®**YKT-2FB**

Hybrid Tantalum Capacitor (With Mounting flange)

Electrical Characteristics

Rated Voltage (V)	Category Voltage (V)	Surge Voltage (V)	Cap. (μF)	tgδ (%)	ESR (Ω) 1kHz	DCL (μA)		Impedance at (Ω) 100Hz	Capacitance Change at (%)		Dimensions			
						25°C	85°C, 125°C		-55°C	-55°C	85°C	DxH		
10	6	11	100000	180	0.035	300	1800	1	-80	+160	36x12			
			150000		0.025						36x16			
16	9.5	17.6	60000	165	0.035	300	1800	1	-80	+160	36x12			
			90000		0.025						36x16			
25	15	27.5	36000	130	0.04	300	1800	1	-75	+160	36x12			
			54000		0.035						36x16			
35	20	38.5	24000	95	0.04	300	1800	1	-70	+160	36x12			
			36000		0.035						36x16			
50	30	55	11000	65	0.1	300	2400	1.2	-60	+120	36x10			
			12000	65	0.1	300					-60	+120	36x12	
			16000	70	0.04	400					-55	+135	36x12	
			18000	70	0.04	400					-55	+135	36x12	
			24000	70	0.035	400					-55	+135	36x16	
63	38	70	8000	50	0.04	400	2400	1.4	-45	+90	36x12			
			12000		0.035						36x16			
80	48	88	5600	40	0.06	500	3000	1.6	-40	+90	36x12			
			8200		0.04						36x16			
100	60	110	2400	35	0.08	500	3000	1.8	-30	+80	36x12			
			3800		0.05						36x12			
			3600		0.05						36x16			
			5700		0.05						36x16			
			1200		0.08						36x12			
110	66	121	1800	35	0.075	500	3000	2	-25	+60	36x16			
			3000		0.075						36x16			
			4500		0.075						36x16			
			1100		0.08						2.4	-25	+50	36x12
125	75	138	1600	30	0.075	500	3000	2.4	-25	+50	36x16			
			2200		0.075						2.4	-25	+50	36x12
			3300		0.05						2.4	-25	+50	36x16
			3300		0.05						2.4	-25	+50	36x16
					0.05						2.2	-20	+45	36x19

Note:

1. Please do not use multimeter through the measuring procedures (may cause irreversible damage and lead to discard)
2. Capacitance and DF measured at 100Hz, $U_{-}=2.20^{0}_{-1.0}V$, $U_{+}=1.0^{0}_{-0.5}V$ Test only applied in series equivalent circuit
3. Voltage derating is applied at +125°C. (The DCL parameter should be read after 5 minutes when it connected to the circuit)
4. Special size and demand could consult with us.

Note: specification are subject to change without notice.

Kingtronics® International CompanyWebsite: www.kingtronics.comEmail: info@kingtronics.com

Tel: (852) 8106 7033

Fax: (852) 8106 7099