

Kingtronics®

YKT-2F0

Hybrid Tantalum Capacitor (With Mounting flange)

FEATURES

- ◆ Tantalum case, Hermetically Sealed, Cylindrical, Radial-lead, Heteropolarity, with mounting flange.
- ◆ Commingled by Electrolytic Tantalum Capacitor and Electrochemical Capacitor, Small size, Super Capacitance.
- ◆ Stable in Electrical Performances, High Reliability, Long life-span, Maximum in the Density of Capacitance and Energy, small size.
- ◆ Built-in as battery in Energy-converted-circuit & Power-pulsed-circuit, functioned as filtering, storage energy, time-delay circuit.



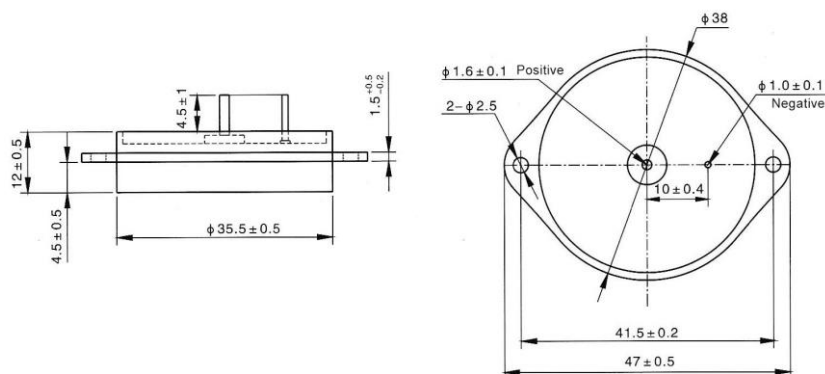
SPECIFICATIONS

Operating Temperature	-55°C to +125°C (to +125°C, with rated voltage derating)
Storage Temperature	-62°C ~ +130°C
Capacitance Tolerance	Q: (-10%~+30%), K: (±10%), M: (±20%)

Electrical Characteristics										
Rated Voltage (V)	Category Voltage (V)	Surge Voltage (V)	Cap. (µF)	tgδ (%)	ESR (Ω) 1kHz	DCL (µA)		Impedance at (Ω) 100Hz	Capacitance Change at (%)	
						25°C	85°C, 125°C		-55°C	85°C
10	6	11	100000	180	0.035	300	1800	1	-80	+160
16	9.5	17.6	60000	165	0.035	300	1800	1	-80	+160
25	15	27.5	36000	130	0.04	300	1800	1	-75	+160
35	20	38.5	24000	95	0.04	300	1800	1	-70	+160
50	30	55	12000 16000	65 70	0.10 0.04	300 400	2400	1.2	-60 -55	+120 +135
63	38	70	8000	50	0.04	400	2400	1.4	-45	+90
80	48	88	5600	40	0.06	500	3000	1.6	-40	+90
100	60	110	2400 3800	35	0.08 0.05	500	3000	1.8	-30	+80
110	66	121	1200	35	0.08	500	3000	2	-25	+60
125	75	138	1100 2200	30	0.08 0.075	500	3000	2.4	-25	+50

Dimensions (unit: mm)

Φ35.5x12 Layout



Note:

1. Please do not use multimeter through the measuring procedures (may cause irreversible damage and lead to discard).
2. Capacitance and DF measured at 100Hz, $U_- = 2.20_{-1.0}^0 V$, $U_+ = 1.0_{-0.5}^0 V$ Test only applied in series equivalent circuit.
3. Voltage derating is applied at +125°C. (The DCL parameter should be read after 5 minutes when it connected to the circuit).
4. Special size and demand could consult with us.

Note: specification are subject to change without notice

Kingtronics® International Company