

Kingtronics®

YKT-003

Hybrid Tantalum Capacitor

FEATURES

- ◆ Tantalum case, Hermetically Sealed, Cylindrical, Radial-lead, Heteropolarity.
- ◆ Commingled by Electrolytic Tantalum Capacitor and Electrochemical Capacitor, Small size, Super Capacitance.
- ◆ Stable in Electrical Performances, High Reliability, Long life-span, Maximum in the Density of Capacitance and Energy, Nominal Capacitance is higher than YKT-002 series.
- ◆ Built-in as battery in Energy-converted-circuit & Power-pulsed-circuit, functioned as filtering, storage energy, time-delay circuit.



SPECIFICATIONS

Operating Temperature	-55°C to +125°C (to +125°C, with rated voltage derating)
Storage Temperature	-62°C ~ +130°C
Capacitance Tolerance	Q: (-10%~+30%), K: (±10%), M: (±20%)

Electrical Characteristics

Rated Voltage (V)	Category Voltage (V)	Surge Voltage (V)	Cap. (μF)	tgδ (%)	ESR (Ω) 1kHz	DCL (μA)		Impedance at (Ω) 100Hz	Capacitance Change at (%)		Dimensions
						25°C	85°C, 125°C		-55°C	-55°C	+85°C
10	6	11	200000	190	0.025	300	1800	1	-80	+160	35.5x20
			230000								35.5x24
16	9.5	17.6	120000	170	0.025	300	1800	1	-80	+160	35.5x20
			1400 0								35.5x24
25	15	27.5	70000	140	0.025	300	1800	1	-75	+160	35.5x20
			86000								35.5x24
35	20	38.5	50000	100	0.025	300	1800	1	-70	+160	35.5x20
			60000								35.5x24
50	30	55	30000	75	0.025	400	2400	1.2	-60	+160	35.5x18.4
			30000								35.5x20
			32000								35.5x20
			33000								35.5x20
			33000								35.5x24
63	38	70	16000	55	0.035	400	2400	1.4	-50	+100	35.5x20
			18000								35.5x24
80	48	88	11000	45	0.035	500	2500	1.6	-40	+160	35.5x20
			13000								35.5x24
100	60	110	4800	40	0.035	500	2500	1.8	-30	+80	35.5x20
			6000								35.5x20
			7500								35.5x24
			2200								35.5x20
			4500								35.5x20
125	75	138	4700	35	0.050	500	2500	2.4	-25	+50	35.5x20
			2800				3000	-25	+50	35.5x20	
			4500				3000	-25	+50	35.5x20	
			4700				2500	-20	+40	35.5x24	
			4500				3000	-25	+45	35.5x24	
4700	3000	-25	+45	35.5x24							

Kingtronics® International Company

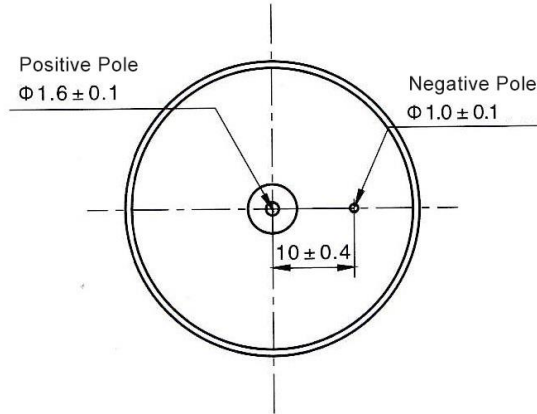
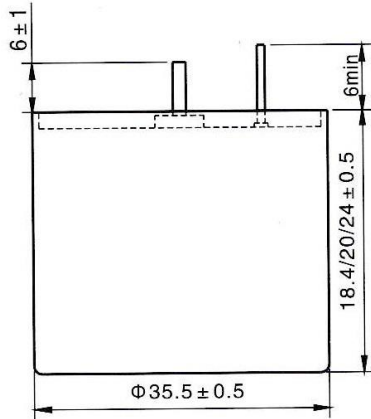
Kingtronics®

YKT-003

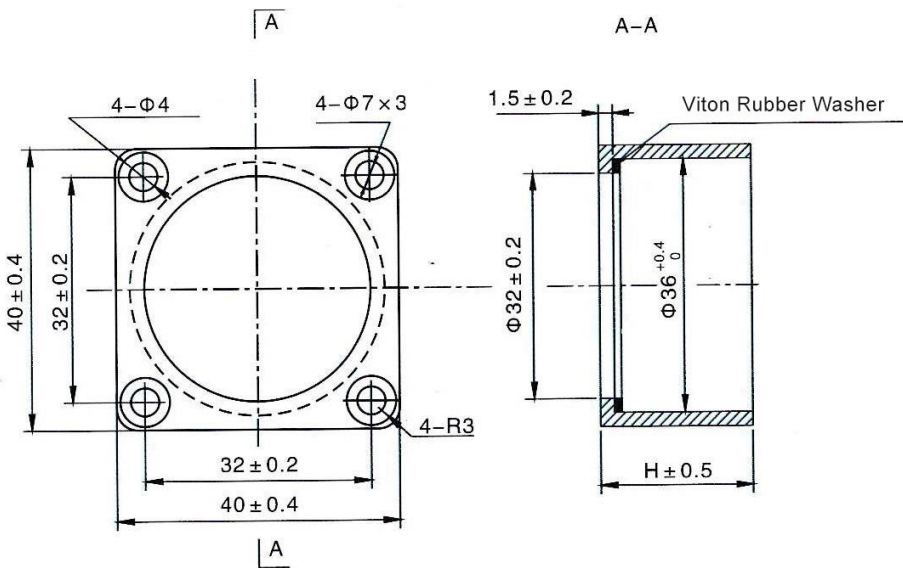
Hybrid Tantalum Capacitor

Dimensions (unit: mm)

Φ35.5x18.4/20/24 Layout (A Type)



Φ35.5x18.4/20/24 Mounting bracket



Dimensions (mm)	H ± 0.5 mm
Φ35.5x18.4	18.5
Φ35.5x20	20
Φ35.5x24	24

Note:

1. Please do not use multimeter through the measuring procedures (may cause irreversible damage and lead to discard).
2. Capacitance and DF measured at 100Hz, $U_- = 2.20^{0}_{-1.0}V$, $U_+ = 1.0^{0}_{-0.5}V$ Test only applied in series equivalent circuit.
3. Voltage derating is applied at +125°C. (The DCL parameter should be read after 5 minutes when it connected to the circuit).
4. Special size and demand could consult with us.

Kingtronics® International Company