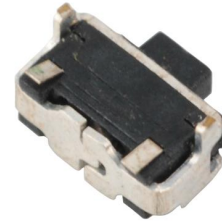


# Kingtronics®

# WKTS2020040D Tact Switches

## FEATURES

- ◆ Type: SMD surface mounted tact switch
- ◆ Operation Life cycles: 200000

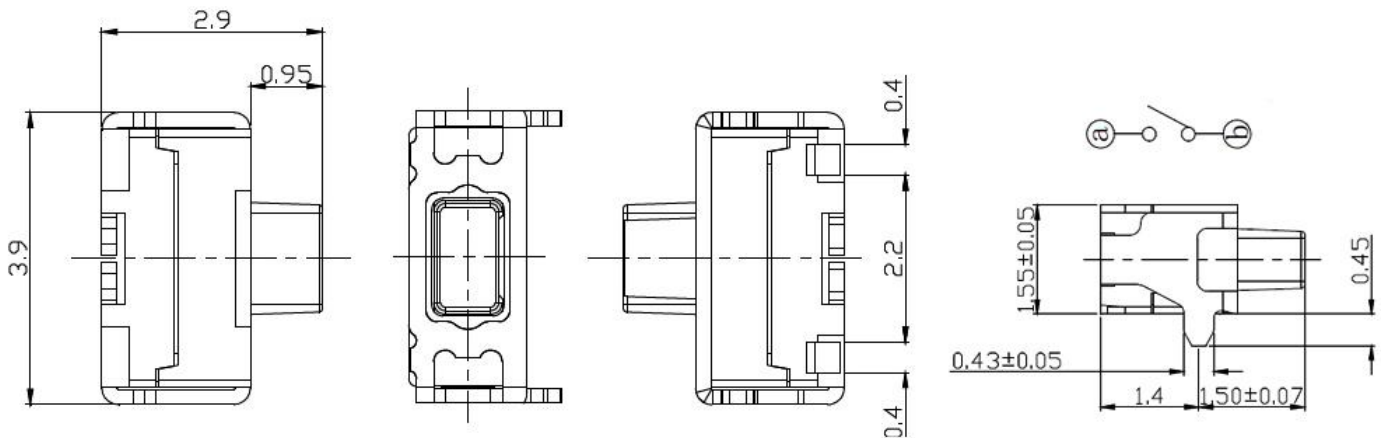


## SPECIFICATIONS

Operating Temperature Range	-25°C to +70°C
Rated Current and Voltage	50mA. / 12V DC
Insulation Resistance	≥ 100MΩ
Dielectric Strength	250V AC (50Hz or 60Hz) applied across terminals for one minute.
Contact Resistance	≤ 100mΩ
Full Travel	0.15 ± 0.05mm
Operating Force	2.3 ± 0.3N

## DRAWING (Unit: mm)

General tolerance : ±0.2mm



Note: Specifications are subject to change without notice.

**Kingtronics® International Company**

Website: [www.kingtronics.com](http://www.kingtronics.com)

Email: [info@kingtronics.com](mailto:info@kingtronics.com)

Tel: (852) 8106 7033

Fax: (852) 8106 7099

# Kingtronics®

# WKTS2020040D Tact Switches

## HOW TO ORDER

WKT	A	1	060060	C	043	B	B	R
Series	Sub Series	Internal code	Size	Installation	Height	Operating Force	Packing	Pb
	1.	2	3.	4.	5.	6.	7.	8

## NOTE:

### 1. Sub Series

Code	A	B	G	R	S	W	Y	Z
Sub Series	DIP	Blue LED	Green LED	Red LED	SMD	White LED	Yellow LED	Waterproof

### 2. Internal code

### 3. Size

Code	020040	030030	035060	045045	050050	060060	072068	120120
Size	2x4	3x3	3.5x6	4.5x4.5	5x5	6x6	7.2x6.8	12x12

### 4. Installation

Code	A	B	C	D	E	F	G
Installation	DIP	DIP with Ground Terminal	Horizontal with Bracket	SMD	2Pin DIP	Horizontal without Bracket	SMD with Bracket

### 5. Height

Code	015	016	025	038	043	050
Height	1.5	1.6	2.5	3.8	4.3	5
Code	058	070	090	095	110	125
Height	5.8	7	9	9.5	11	12.5

### 6. Operating Force

Code	A	B	C	D	E
Operating Force	1.0±0.3	1.6±0.5	2.6±0.5	1.3±0.3	2.0±0.5
Code	H	K	L	M	P
Operating Force	2.2±0.5	5.0±1.0	1.2±0.4	3.5±0.9	2.5±0.3
Code	Q	S	T		
Operating Force	1.6±0.3	1.8±0.5	2.3±0.3		

### 7. Packing

Code	A	B	T
Packing	Ammo	Bulk	Tape & Reel

### 8. Pb

Code	R
Pb	RoHS

Note: Specifications are subject to change without notice.

**Kingtronics® International Company**

Website: [www.kingtronics.com](http://www.kingtronics.com)

Email: [info@kingtronics.com](mailto:info@kingtronics.com)

Tel: (852) 8106 7033

Fax: (852) 8106 7099