

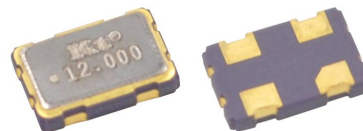
Kingtronics®

QKT – OSC5032 SMD OSCILLATOR

FEATURES

- Tight frequency tolerance: Reflow solder is possible
- Pin-compatible with standard 5.0x3.2mm packages
- Lower noise and current with reduced power consumption
- Low power standby mode: Built-in C-MOS IC with tri-state function
- Surface mounting and automatically loaded: Pb-free and RoHS/Green compliant

PICTURE

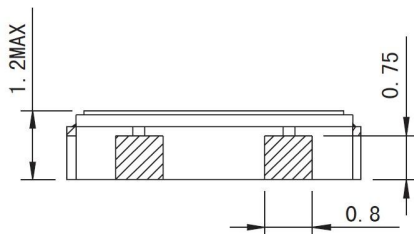
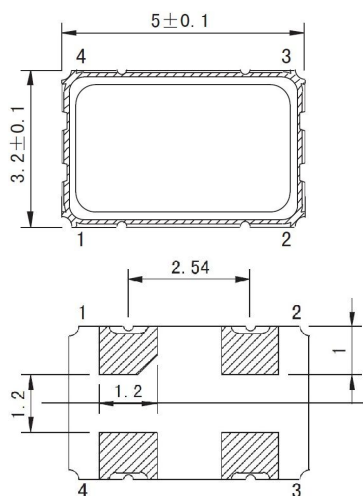


SPECIFICATIONS

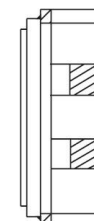
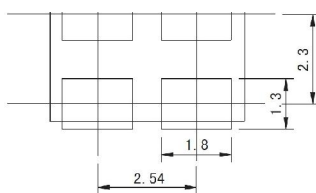
Holder Type	5.0x3.2mm SMD OSCILLATOR
Frequency Range	32.768KHz, 1.000 MH to 125.000 MHz
Frequency Stability	±20ppm to ±50ppm
Supply Voltage	5.0V or 3.3V ±10%※(See Notes)
Operating Temperature Range	-10°C- +60°C / -40°C- +85°C
Storage Temperature Range	-40°C - +85°C / -55°C - +125°C
Symmetry (Duty Cycle)	40/60 Standard
Output Load	10 TTL or 15pF Hcmos
Current Consumption (15pF only)	1.000Mhz - 35.999Mhz=25mA max
(5.0V)	36.000Mhz - 69.999Mhz=60mA max 70.000Mhz - 100.000Mhz=80mA max
Current Consumption (15pF only)	1.000Mhz - 35.999Mhz=20mA max
(1.8V 2.5V 2.85V 3.3V)	36.000Mhz - 69.999Mhz=40mA max 70.000Mhz - 125.000Mhz=60mA max
Rise/Fall Time	5 nS max

※Notes: The supply voltage 1.8V, 2.5V, 2.85V also can be made by customer.

MECHANICAL DIMENSIONS: Unit: mm



Suggested solder pad layout



PIN	FUNCTION
1	N/C or Tri-state
2	Ground
3	Output
4	Vdd

Note: Specifications are subject to change without notice.

Kingtronics® International Company