

Kingtronics®

GKT-VF

Aluminum Electrolytic Capacitor – SMD

FEATURES

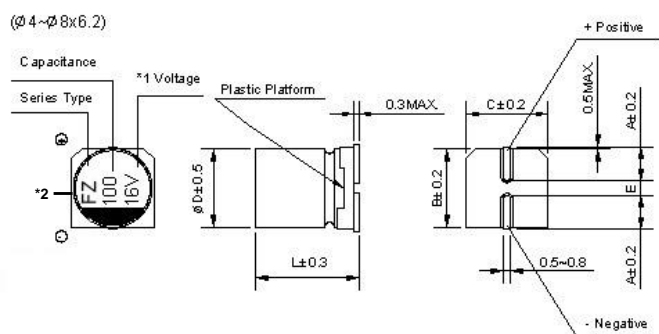
- ◆ 105°C 3,000 to 5,000hours
- ◆ Solvent proof (within 2 minutes)



SPECIFICATIONS

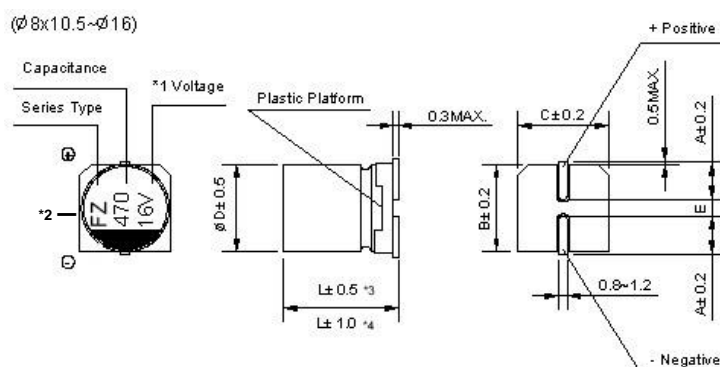
Rated voltage (V)	-	6.3	10	16	25	35	50	63	80	100	
	Room temperature	8.0	13	20	32	44	63	79	100	125	
Surge voltage (V)	Room temperature	8.0	13	20	32	44	63	79	100	125	
Category temperature range (°C)	-	-55 to +125									
Capacitance tolerance (%)	120Hz/20°C	M : ±20									
Dissipation Factor (Tan δ)	tanδ (max) 120Hz/20°C	φ4 to φ10	0.24	0.20	0.18	0.16	0.14	0.12	0.12	0.12	0.12
		φ12.5to φ16	0.28	0.24	0.20	0.18	0.16	0.14	0.14	0.14	0.14
Leakage current (LC)	μA/after 2minutes (max)	Exceeding 1,000μF, +0.02 every 1,000μF									
Impedance ratio at low temperature	Based on the value at 120Hz, +20°C	-25°C	Z/Z20°C	3	3	3	3	3	2	2	2
		-55°C	Z/Z20°C	4	4	4	3	3	3	3	3
Endurance	105°C rated voltage applied (With the rated ripple current)	Test	φ4 to φ6.3, φ10×7.7andφ8×6.5: 3,000hours, φ8toφ16: 5,000hours								
		ΔC/C	Within ±30% of the initial value								
		tanδ	Less than 300% of the specified value								
		LC	Less than the specified value								

DRAWING (Unit: mm)



*1 Voltage mark for 6.3V is [6] or [6.3V]

*2 Product Markings: KtF, KF, FZ



*3 [L±0.5] is applicable to φ8×10.5~φ10

*4 [L±1.0] is applicable to φ12.5~φ16.

Kingtronics® International Company

Kingtronics®**GKT-VF**

Aluminum Electrolytic Capacitor – SMD

DIMENSIONS(Unit: mm)

ØDxL	4x5.8	5x5.8	6.3x5.8/7.7	8 x6.5/10.5	10*7.7	10x10.5/13.5	12.5 x13.5/16	16 x16.5
A	1.8	2.1	2.4	3.3	3.2	3.2	4.7	5.5
B	4.3	5.3	6.6	8.3	10.3	10.3	13	17
C	4.3	5.3	6.6	8.3	10.3	10.3	13	17
E	1.0	1.3	2.2	3.1	4.4	4.4	4.4	6.4
L	5.8	5.8	5.8/7.7	6.5/10.5	7.7	10.5/13.5	13.5/16	16.5

DIMENSIONS & MAXIMUM PERMISSIBLE RIPPLE CURRENT & IMPEDANCE

WV/V Cap/µF		6.3			10			16		
		0J			1A			1C		
4.7	4R7	--	--	--	--	--	--	--	--	--
10	100	--	--	--	--	--	--	--	--	--
15	150	--	--	--	--	--	--	4x5.8	1.45	90
22	220	--	--	--	4x5.8	1.45	90	5x5.8	0.76	170
27	270	4x5.8	1.45	90	5x5.8	0.76	170	5x5.8	0.76	170
33	330	5x5.8	0.76	170	5x5.8	0.76	170	6.3x5.8	0.44	250
47	470	5x5.8	0.76	170	6.3x5.8	0.44	250	6.3x5.8	0.44	250
56	560	5x5.8	0.76	170	6.3x5.8	0.44	250	6.3x5.8	0.44	250
68	680	6.3x5.8	0.44	250	6.3x5.8	0.44	250	6.3x5.8	0.44	250
100	101	5x5.8 (6.3x5.8)	0.76 (0.44)	170 (250)	6.3x5.8	0.44	250	6.3x5.8	0.44	250
150	151	6.3x5.8	0.44	250	6.3x5.8	0.44	250	6.3x7.7 (8x6.5)	0.34 (0.34)	300 (300)
220	221	6.3x5.8	0.44	250	6.3x7.7 (8x6.5)	0.34 (0.34)	300 (300)	6.3x7.7	0.34	300
330	331	6.3x7.7 (8x6.5)	0.30 (0.34)	300 (300)	8x10.5	0.17	600	8x10.5 (10x7.7)	0.17 (0.17)	600 (600)
470	471	8x10.5	0.17	600	8x10.5 (10x7.7)	0.17 (0.17)	600 (600)	8x10.5	0.17	600
680	681	8x10.5 (10x7.7)	0.17 (0.17)	600 (600)	10x10.5	0.09	850	10x10.5	0.09	850
1000	102	8x10.5	0.17	600	10x10.5	0.09	850	Case size:φDxL (mm)	Impedance (Ω) max at 100kHz, 20℃	Rated ripple current mArms(100k Hz, 105℃)
1500	152	10x10.5	0.09	850	--	--	--			

Kingtronics® International CompanyWebsite: www.kingtronics.comEmail: info@kingtronics.com

Tel: (852) 8106 7033

Fax: (852) 8106 7099

Kingtronics®**GKT-VF**

Aluminum Electrolytic Capacitor – SMD

DIMENSIONS & MAXIMUM PERMISSIBLE RIPPLE CURRENT & IMPEDANCE

WV/V		25			35			50		
Cap/μF		1E			1V			1H		
4.7	4R7	--	--	--	4x5.8	1.45	90	4x5.8	2.90	60
10	100	4x5.8	1.45	90	5x5.8	0.76	170	6.3x5.8	0.88	165
15	150	5x5.8	0.76	170	5x5.8	0.76	170	--	--	--
22	220	5x5.8	0.76	170	5x5.8	0.76	170	6.3x5.8	0.88	165
27	270	6.3x5.8	0.44	250	6.3x5.8	0.44	250	6.3x7.7	0.68	195
33	330	6.3x5.8	0.44	250	6.3x5.8	0.44	250	6.3x7.7	0.68	195
47	470	6.3x5.8	0.44	250	6.3x5.8	0.44	250	6.3x7.7	0.68	195
56	560	6.3x5.8	0.44	250	6.3x7.7	0.34	300	8x10.5	0.34	350
68	680	6.3x5.8	0.44	250	6.3x7.7	0.34	300	8x10.5	0.34	350
100	101	6.3x7.7 (8x6.5)	0.34 (0.34)	300 (300)	6.3x7.7 (8x10.5)	0.34 (0.17)	300 (600)	8x10.5 (10x7.7)	0.34 (0.34)	350 (330)
150	151	8x10.5	0.17	600	8x10.5 (10x7.7)	0.17 (0.17)	600 (600)	10x10.5	0.18	670
220	221	8x10.5 (10x7.7)	0.17 (0.17)	600 (600)	8x10.5	0.17	600	10x10.5	0.18	670
330	331	8x10.5	0.17	600	10x10.5	0.09	850	Case size:φDxL (mm)	Impedance (Ω) max at 100kHz, 20°C	Rated ripple current mArms(100k Hz, 105°C)
470	471	10x10.5	0.09	850	--	--	--			

WV/V		63			80			100		
Cap/μF		1J			1K			2A		
4.7	4R7	5x5.8	1.90	70	--	--	--	6.3x5.8	3.00	80
10	100	6.3x5.8	1.50	80	--	--	--	6.3x7.7	2.40	120
22	220	6.3x7.7	1.20	120	--	--	--	8x10.5	1.30	130
27	270	--	--	--	10x10.5	0.70	200	--	--	--
33	330	8x6.5	1.20	120	--	--	--	10x10.5	0.65	200
47	470	10x7.7	0.70	200	10x10.5	0.65	200	--	--	--
56	560	10x10.5	0.50	300	--	--	--	--	--	--
68	680	--	--	--	--	--	--	--	--	--
100	101	--	--	--	--	--	--	--	--	--
150	151	--	--	--	--	--	--	Case size:φDxL (mm)	Impedance (Ω) max at 100kHz, 20°C	Rated ripple current mArms(100k Hz, 105°C)
220	221	--	--	--	--	--	--			

Frequency coefficient Factor of Rated Ripple current

Capacitance (μF)	Frequency: F(Hz)			
	100≤F<1k	1k≤F<10k	10k≤F<100k	100k≤F
C≤33	0.35	0.70	0.90	1.00
33<C≤150	0.40	0.85	0.92	1.00
150<C	0.60	0.85	0.95	1.00

Kingtronics® International CompanyWebsite: www.kingtronics.com Email: info@kingtronics.com Tel: (852) 8106 7033 Fax: (852) 8106 7099

Kingtronics®

GKT-VF

Aluminum Electrolytic Capacitor – SMD

HOW TO ORDER

<u>GKT</u>	<u>VF</u>	<u>0J</u>	<u>M</u>	<u>220</u>	<u>040054</u>	<u>T</u>	<u>R</u>
Series	Sub Series	Voltage	Capacitance Tolerance	Capacitance	Case Size	Packing	Pb
		1.	2.	3.	4.	5.	6.

NOTE:

1. Rated Voltage

Code	0G	0J	1A	1C	1E	1V	1H	1J	2A
Voltage	4	6.3	10	16	25	35	50	63	100

2. Capacitance Tolerance

Code	K	M	Q	T
Tolerance	±10%	±20%	+30-10%	+50-10%

3. Capacitance

Code	0R1	R47	010	4R7	100	470	101	471	102	472	103
Capacitance (µF)	0.1	0.47	1	4.7	10	47	100	470	1000	4700	10000

4. Case Size

Code	040054	050054	063054	080105	100105	125135	160215
Case Size (mm)	4x5.4	5x5.4	6.3x5.4	8x10.5	10x10.5	12.5x13.5	16x21.5

5. Packing

Code	T
Packing	Tape & Reel

6. Pb

Code	R
Pb	RoHS

Note: Specifications are subject to change without notice.

Kingtronics® International Company

Website: www.kingtronics.com Email: info@kingtronics.com Tel: (852) 8106 7033 Fax: (852) 8106 7099