

Kingtronics®

WKTR1072068A Tact Switches

FEATURES

- ◆ Type: DIP tact switch with LED
- ◆ LED Color: Red, Blue, White, Yellow, Green
- ◆ Operating Life cycles: 500000

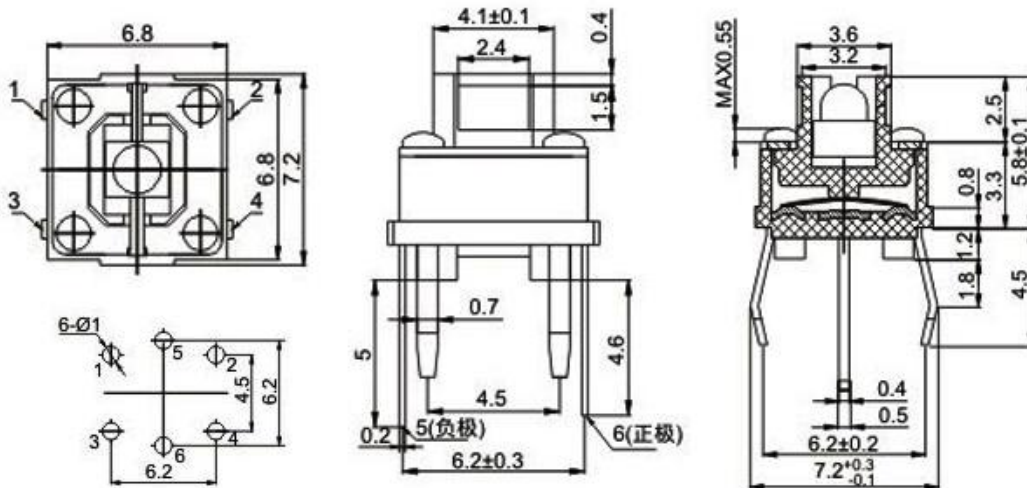


SPECIFICATIONS

| | |
|-----------------------------|---|
| Operating Temperature Range | -20°C to +70°C |
| Rated Current and Voltage | 50mA. / 12V DC |
| Insulation Resistance | ≥ 100MΩ |
| Dielectric Strength | 250V AC (50Hz or 60Hz) applied across terminals for one minute. |
| Contact Resistance | ≤ 50mΩ |
| Full Travel | 0.25 ± 0.1mm |
| Operating Force | 2.0 ± 0.5N |

DRAWING (Unit: mm)

General tolerance : ±0.2mm



Note: Specifications are subject to change without notice.

Kingtronics® International Company

Website: www.kingtronics.com Email: info@kingtronics.com Tel: (852) 8106 7033 Fax: (852) 8106 7099

Kingtronics®

WKTR1072068A Tact Switches

HOW TO ORDER

| WKT | A | 1 | 060060 | C | 043 | B | B | R |
|--------|------------|---------------|--------|--------------|--------|-----------------|---------|----|
| | | | | | | | | |
| Series | Sub Series | Internal code | Size | Installation | Height | Operating Force | Packing | Pb |
| | 1. | 2. | 3. | 4. | 5. | 6. | 7. | 8. |

NOTE:

1. Sub Series

| Code | A | B | G | R | S | W | Y | Z |
|------------|-----|----------|-----------|---------|-----|-----------|------------|------------|
| Sub Series | DIP | Blue LED | Green LED | Red LED | SMD | White LED | Yellow LED | Waterproof |

2. Internal code

3. Size

| Code | 020040 | 030030 | 035060 | 045045 | 050050 | 060060 | 072068 | 120120 |
|------|--------|--------|--------|---------|--------|--------|---------|--------|
| Size | 2x4 | 3x3 | 3.5x6 | 4.5x4.5 | 5x5 | 6x6 | 7.2x6.8 | 12x12 |

4. Installation

| Code | A | B | C | D | E | F | G |
|--------------|-----|--------------------------|-------------------------|-----|----------|----------------------------|------------------|
| Installation | DIP | DIP with Ground Terminal | Horizontal with Bracket | SMD | 2Pin DIP | Horizontal without Bracket | SMD with Bracket |

5. Height

| Code | 015 | 016 | 025 | 038 | 043 | 050 |
|--------|-----|-----|-----|-----|-----|------|
| Height | 1.5 | 1.6 | 2.5 | 3.8 | 4.3 | 5 |
| Code | 058 | 070 | 090 | 095 | 110 | 125 |
| Height | 5.8 | 7 | 9 | 9.5 | 11 | 12.5 |

6. Operating Force

| Code | A | B | C | D | E |
|-----------------|---------|---------|---------|---------|---------|
| Operating Force | 1.0±0.3 | 1.6±0.5 | 2.6±0.5 | 1.3±0.3 | 2.0±0.5 |
| Code | H | K | L | M | P |
| Operating Force | 2.2±0.5 | 5.0±1.0 | 1.2±0.4 | 3.5±0.9 | 2.5±0.3 |
| Code | Q | S | T | | |
| Operating Force | 1.6±0.3 | 1.8±0.5 | 2.3±0.3 | | |

7. Packing

| Code | A | B | T |
|---------|------|------|-------------|
| Packing | Ammo | Bulk | Tape & Reel |

8. Pb

| Code | R |
|------|------|
| Pb | RoHS |

Note: Specifications are subject to change without notice.

Kingtronics® International Company