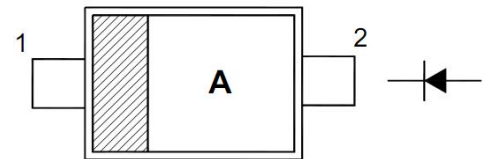


Kingtronics®**1N4148WT**Silicon Epitaxial Planar
Switching Diode**FEATURES**

- Fast switching speed
- Ultra-small surface mount package
- For general purpose switching applications
- High conductance

PINNING

PIN	DESCRIPTION
1	Cathode
2	Anode



Top View

Marking Code: " A "

Simplified outline SOD-523 and symbol

Absolute Maximum Ratings (Ta = 25°C)

PARAMETER	SYMBOL	VALUE	UNIT
Non-Repetitive Peak Reverse Voltage	V_{RM}	100	V
Reverse Voltage	V_R	75	V
Average Rectified Forward Current	$I_F (AV)$	125	mA
Forward Continuous Current	I_{FM}	250	mA
Non-repetitive Peak Forward Surge Current	at $t = 1 \mu s$	2	A
	at $t = 100 ms$	1	A
Power Dissipation	P_{tot}	150	mW
Thermal Resistance Junction to Ambient Air	$R_{\theta JA}$	833	°C/W
Operating Temperature Range	T_j	- 65 to + 150	°C
Storage Temperature Range	T_{stg}	- 65 to + 150	°C

Kingtronics® International CompanyWebsite: www.kingtronics.com Email: info@kingtronics.com Tel: (852) 8106 7033 Fax: (852) 8106 7099

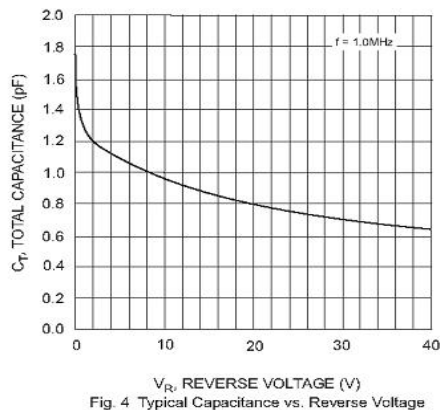
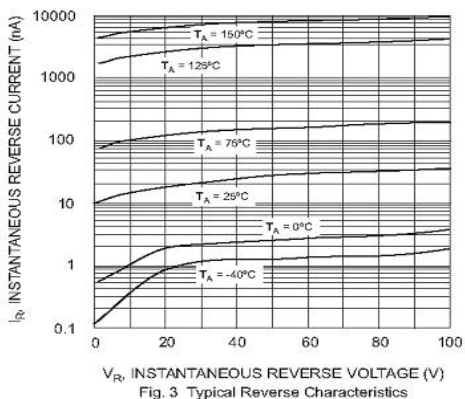
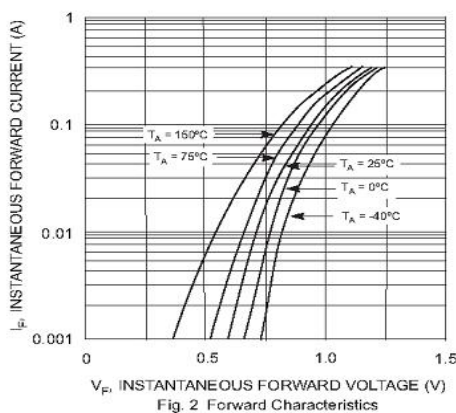
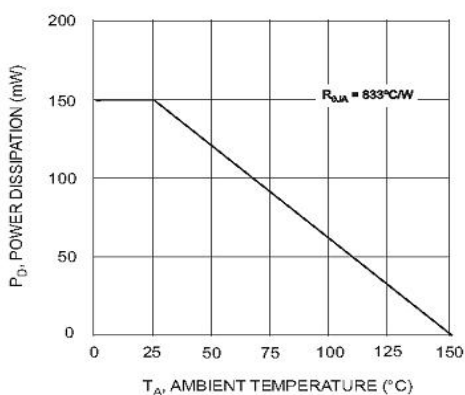
Kingtronics®

1N4148WT

Silicon Epitaxial Planar Switching Diode

Electrical Characteristics (Ta = 25°C)

PARAMETER		SYMBOL	MIN.	MAX.	UNIT
Reverse Breakdown Voltage	at I _R = 1 μA	V _{(BR)R}	75	-	V
Forward Voltage	at I _F = 1 mA	V _F	-	0.715	V
	at I _F = 10 mA		-	0.855	
	at I _F = 50 mA		-	1	
	at I _F = 150 mA		-	1.25	
Peak Reverse Current	at V _R = 75 V	I _R	-	1	μA
	at V _R = 20 V		-	25	nA
	at V _R = 75 V, T _J = 150°C		-	50	μA
	at V _R = 25 V, T _J = 150°C		-	30	μA
Total Capacitance	at V _R = 0 V, f = 1 MHz	C _T	-	2	pF
Reverse Recovery Time	at I _{rr} = 0.1 X I _R , I _F = I _R = 10 mA, R _L = 100 Ω	t _{rr}	-	4	ns



Kingtronics® International Company

Kingtronics®

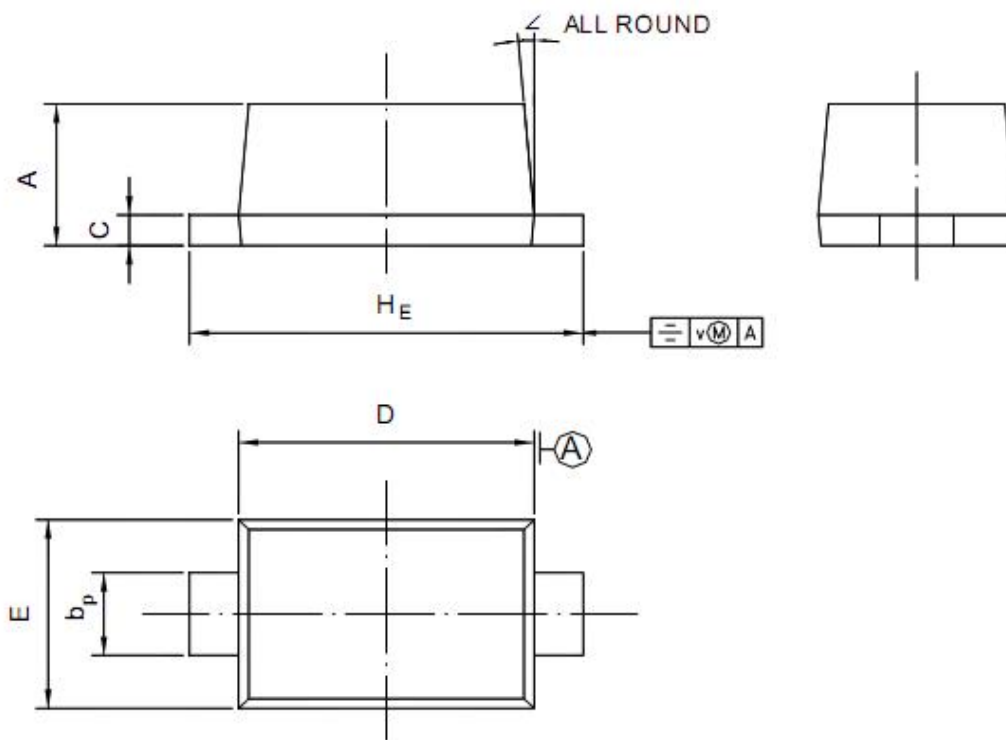
1N4148WT

Silicon Epitaxial Planar
Switching Diode

PACKAGE OUTLINE

Plastic surface mounted package; 2 leads

SOD-523



UNIT	A	b _p	C	D	E	H _E	V	∠
mm	0.70 0.60	0.4 0.3	0.135 0.100	1.25 1.15	0.85 0.75	1.7 1.5	0.1	5°

Note: Specifications are subject to change without notice.

Kingtronics® International Company

Website: www.kingtronics.com Email: info@kingtronics.com Tel: (852) 8106 7033 Fax: (852) 8106 7099