

Kingtronics®

RKT-3314

Trimming Potentiometers

FEATURES

Surface Mount 4mm Square Single-Turn Cermet

Small in size

PICTURE

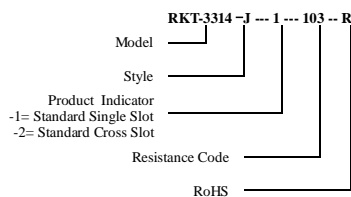


Electrical Characteristics	
Standard Resistance Range	10Ω - 2MΩ
Resistance Tolerance	±20% std.
End Resistance	1% or 2Ω max. (whichever is larger)
Contact Resistance Variation	3% or 3Ω
Resolution	Infinite
Insulation Resistance	500 VDC. 100 megohms min.
Dielectric Strength Sea Level	500 VAC (1 minute)
Adjustment Angle	210° nom

Environmental Characteristics	
Power Rating (300 volts max. for Style G, J)	70°C 0.25 watt / 125°C 0 watt
Temperature Range	-55°C ~ +125°C
Temperature Coefficient	±100ppm/°C ±250ppm/°C
Seal Test	85°C Fluorinert +/60 seconds
Humidity	90-98% RH, 10cycles, 240 hours TRS ±2%; IR 10megohms
Vibration	20G TRS ±1%; VRS ±1%
Shock	100G TRS ±1%; VRS ±1%
Load Life	(@ 70°C Rated Power 1000 Hours); TRS ±3%
Rotational Life	100 cycles TRS ±3%
Thermal Shock	5 cycles TRS ±2%; VRS ±1%

Physical Characteristics	
Mechanical Angle	240° nom
Torque	180 g-cm max.
Stop Torque	300 g-cm mix.
Pushover Strength(S & Z Style)	1.6 Kilograms (3.5lbs) min
Wiper	50% (Actual TR) ±10%
Standard Packaging	500pcs. per tape reel
Adjustment Tool	H-91

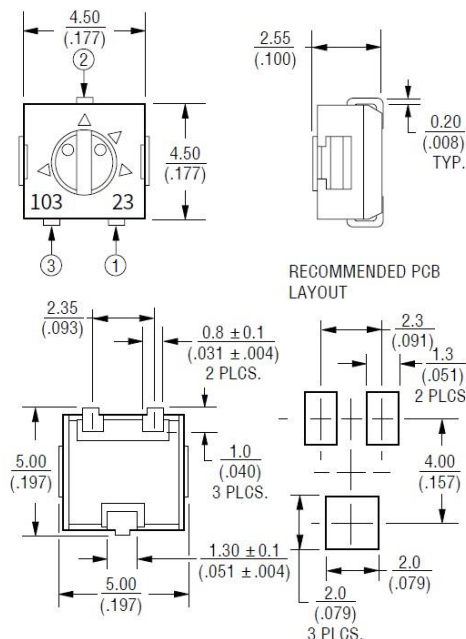
How to Order



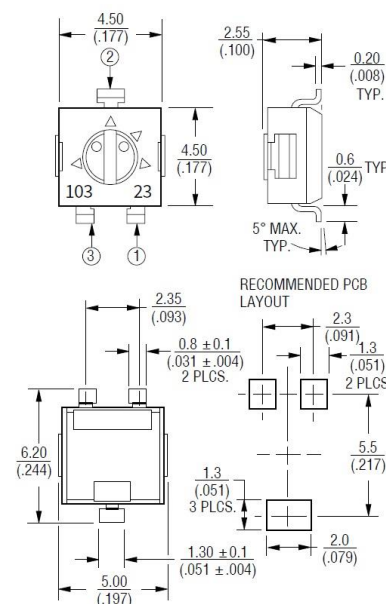
Note: Specifications are subject to change without notice.

Common Dimensions (mm)

RKT-3314J-1



RKT-3314G-1



Kingtronics® International Company

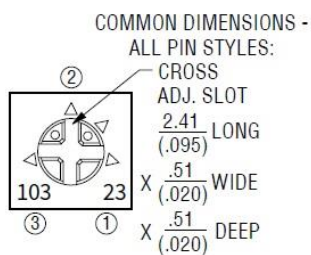
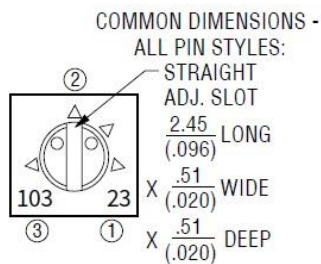
Kingtronics®

RKT-3314

Trimming Potentiometers

RKT-3314J-1, RKT-3314G-1
Straight Slot

RKT-3314J-2, RKT3314G-2
Cross Slot



Dimensions: MM
(INCHES)

Tolerances: ± 0.30 except where noted
(± 012)

Resistance Table

Resistance (Ohms)	Resistance Code
10	100
20	200
50	500
100	101
200	201
500	501
1,000	102
2,000	202
5,000	502
10,000	103
20,000	203
50,000	503
100,000	104
200,000	204
250,000	254
500,000	504
1,000,000	105
2,000,000	205

Special resistances available.

Note: Specifications are subject to change without notice.

Kingtronics® International Company

Website: www.kingtronics.com Email: info@kingtronics.com Tel: (852) 8106 7033 Fax: (852) 8106 7099