

Kingtronics®

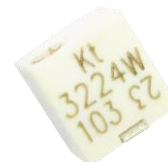
RKT-3224

Multi-turn SMD Trimming Potentiometer

FEATURES

- Small in size.
- Surface Mount 4mm Square Multi-Turn Cermet.
- RoHS compliant

PICTURE

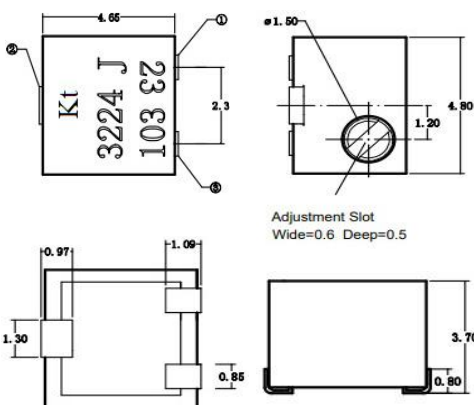


Electrical Characteristics

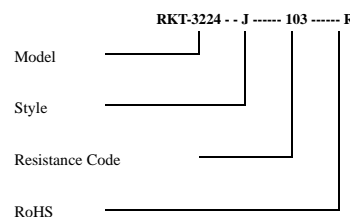
Standard Resistance Range	10Ω - 2MΩ
Resistance Tolerance	±10% std.
End Resistance	1% or 2.0 ohms
Contact Resistance Variation	3% or 3 ohms max
Insulation Resistance	500vdc. 100 megohms min.
Dielectric Strength Sea Level	600 vac(1 minute)
Adjustment Angle	12 turns

Common Dimensions

RKT-3224J



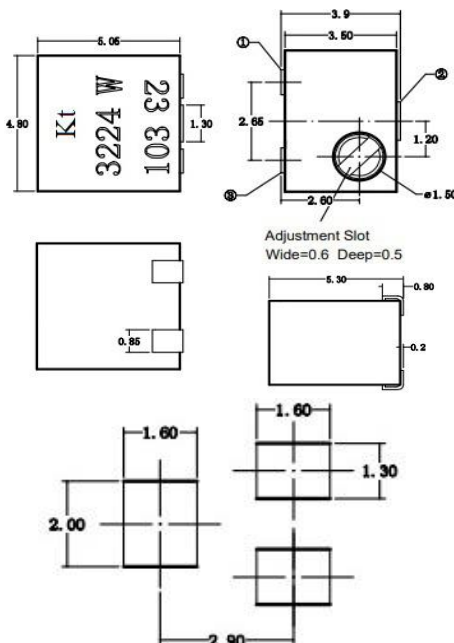
How to order



Environmental Characteristics

Power Rating(300 volts max.)	85°C 0.25 watt /150°C 0 watt max.)
Temperature Range	-65°C to +150°C
Temperature Coefficient	±100ppm ±250ppm
Vibration	20G TRS±1%; VRS±1%
Shock	100G TRS±1%; VRS±1%
Load Life	@85°C rated power 1,000hours TRS 3 ohms or 3%
Rotational Life	200 cycles TRS 3 ohms or 3% (whichever is greater)

RKT-3224W



Resistance Table

Resistance (Ohms)	Resistance Code
10	100
20	200
50	500
100	101
200	201
500	501
1,000	102
2,000	202
5,000	502
10,000	103
20,000	203
50,000	503
100,000	104
200,000	204
500,000	504
1,000,000	105
2,000,000	205

Special resistances available.

Physical Characteristics

Torque	180 g-cm max.
Flammability	UL94V0
Weight	Approximately 0.01 oz.

Note: Specifications are subject to change without notice.

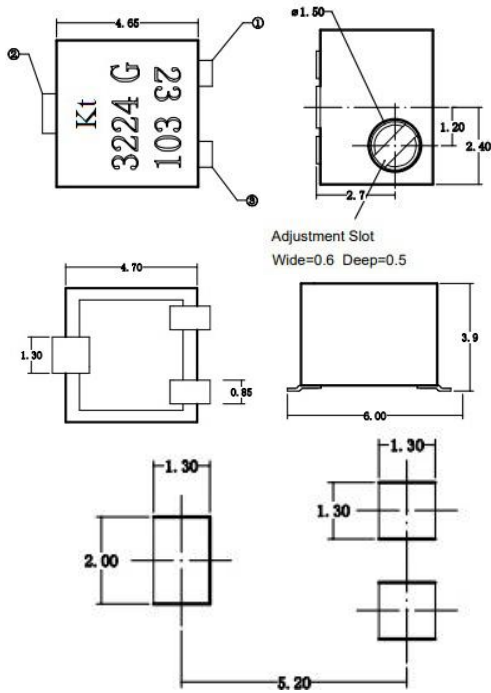
Kingtronics® International Company

Kingtronics®

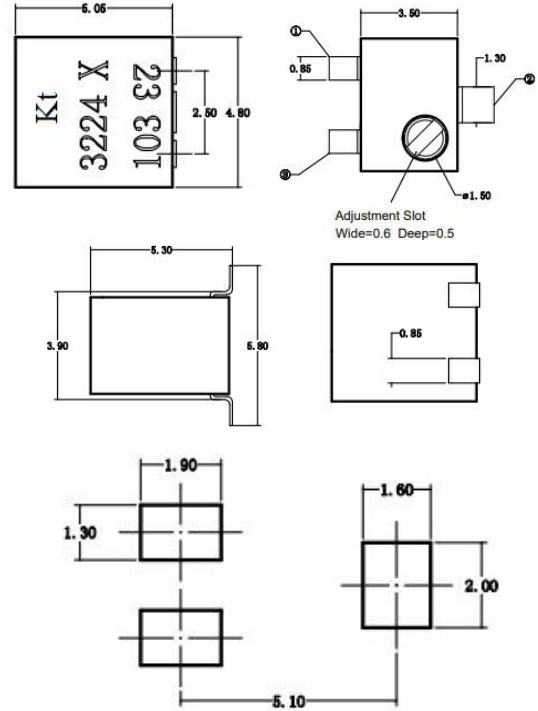
RKT-3224

Multi-turn SMD Trimming Potentiometer

RKT-3224G



RKT-3224X



Note: Specifications are subject to change without notice.

Kingtronics® International Company

Website: www.kingtronics.com

Email: info@kingtronics.com

Tel: (852) 8106 7033

Fax: (852) 8106 7099