

Kingtronics®**MM3Z2V0 THRU
MM3Z75**

Silicon Planar Zener Diodes

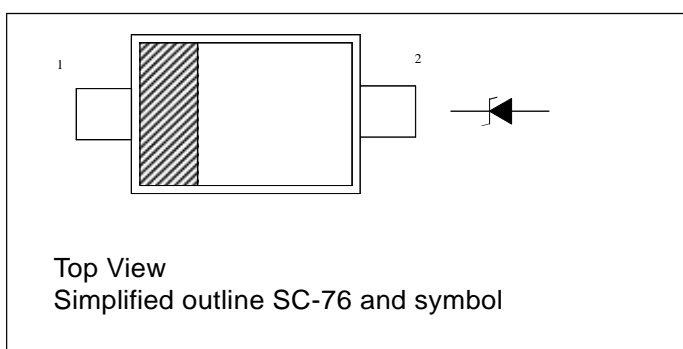
FEATURES

Total power dissipation : max. 300 mW

Small plastic package suitable for
surface mounted designTolerance approximately $\pm 5\%$

PINNING

| PIN | DESCRIPTION |
|-----|-------------|
| 1 | Cathode |
| 2 | Anode |

**Absolute Maximum Ratings ($T_a = 25^\circ\text{C}$)**

| Parameter | SYMBOL | VALUE | UNITS |
|---------------------------|------------------|---------------|------------------|
| Power Dissipation | P_{tot} | 300 | mW |
| Junction Temperature | T_j | 150 | $^\circ\text{C}$ |
| Storage Temperature Range | T_{stg} | - 55 to + 150 | $^\circ\text{C}$ |

Characteristics at $T_a = 25^\circ\text{C}$

| Parameter | SYMBOL | Max. | UNITS |
|--|-----------------------|------|--------------------|
| Thermal Resistance Junction to Ambient Air | $R_{\theta\text{JA}}$ | 417 | $^\circ\text{C/W}$ |
| Forward Voltage at $I_F = 10 \text{ mA}$ | V_F | 0.9 | V |

Kingtronics® International CompanyWebsite: www.kingtronics.comEmail: info@kingtronics.com

Tel: (852) 8106 7033

Fax: (852) 8106 7099

Kingtronics®**MM3Z2V0 THRU
MM3Z75****Characteristics at T_a = 25 °C**

| Type | Marking Code | Zener Voltage Range ¹⁾ | | | Dynamic Impedance | | Reverse Leakage Current | |
|---------|--------------|-----------------------------------|-----------------|--------------------|-------------------|--------------------|-------------------------|-------------------|
| | | V _{znom} | V _{ZT} | at I _{ZT} | Z _{ZT} | at I _{ZT} | I _R | at V _R |
| | | (V) | (V) | (mA) | Max. (Ω) | (mA) | Max. (μA) | (V) |
| MM3Z2V0 | B0 | 2.0 | 1.8...2.15 | 5 | 100 | 5 | 120 | 0.5 |
| MM3Z2V2 | C0 | 2.2 | 2.08...2.33 | 5 | 100 | 5 | 120 | 0.7 |
| MM3Z2V4 | 1C | 2.4 | 2.28...2.56 | 5 | 100 | 5 | 120 | 1 |
| MM3Z2V7 | 1D | 2.7 | 2.5...2.9 | 5 | 110 | 5 | 120 | 1 |
| MM3Z3V0 | 1E | 3.0 | 2.8...3.2 | 5 | 120 | 5 | 50 | 1 |
| MM3Z3V3 | 1F | 3.3 | 3.1...3.5 | 5 | 130 | 5 | 20 | 1 |
| MM3Z3V6 | 1H | 3.6 | 3.4...3.8 | 5 | 130 | 5 | 10 | 1 |
| MM3Z3V9 | 1J | 3.9 | 3.7...4.1 | 5 | 130 | 5 | 5 | 1 |
| MM3Z4V3 | 1K | 4.3 | 4...4.6 | 5 | 130 | 5 | 5 | 1 |
| MM3Z4V7 | 1M | 4.7 | 4.4...5 | 5 | 130 | 5 | 2 | 1 |
| MM3Z5V1 | 1N | 5.1 | 4.8...5.4 | 5 | 130 | 5 | 2 | 1.5 |
| MM3Z5V6 | 1P | 5.6 | 5.2...6 | 5 | 80 | 5 | 1 | 2.5 |
| MM3Z6V2 | 1R | 6.2 | 5.8...6.6 | 5 | 50 | 5 | 1 | 3 |
| MM3Z6V8 | 1X | 6.8 | 6.4...7.2 | 5 | 30 | 5 | 0.5 | 3.5 |
| MM3Z7V5 | 1Y | 7.5 | 7...7.9 | 5 | 30 | 5 | 0.5 | 4 |
| MM3Z8V2 | 1Z | 8.2 | 7.7...8.7 | 5 | 30 | 5 | 0.5 | 5 |
| MM3Z9V1 | 2A | 9.1 | 8.5...9.6 | 5 | 30 | 5 | 0.5 | 6 |
| MM3Z10 | 2B | 10 | 9.4...10.6 | 5 | 30 | 5 | 0.1 | 7 |
| MM3Z11 | 2C | 11 | 10.4...11.6 | 5 | 30 | 5 | 0.1 | 8 |
| MM3Z12 | 2D | 12 | 11.4...12.7 | 5 | 35 | 5 | 0.1 | 9 |
| MM3Z13 | 2E | 13 | 12.4...14.1 | 5 | 35 | 5 | 0.1 | 10 |
| MM3Z15 | 2F | 15 | 13.8...15.6 | 5 | 40 | 5 | 0.1 | 11 |
| MM3Z16 | 2H | 16 | 15.3...17.1 | 5 | 40 | 5 | 0.1 | 12 |
| MM3Z18 | 2J | 18 | 16.8...19.1 | 5 | 45 | 5 | 0.1 | 13 |
| MM3Z20 | 2K | 20 | 18.8...21.2 | 5 | 50 | 5 | 0.1 | 15 |
| MM3Z22 | 2M | 22 | 20.8...23.3 | 5 | 55 | 5 | 0.1 | 17 |
| MM3Z24 | 2N | 24 | 22.8...25.6 | 5 | 60 | 5 | 0.1 | 19 |
| MM3Z27 | 2P | 27 | 25.1...28.9 | 2 | 70 | 2 | 0.1 | 21 |
| MM3Z30 | 2R | 30 | 28...32 | 2 | 80 | 2 | 0.1 | 23 |
| MM3Z33 | 2X | 33 | 31...35 | 2 | 80 | 2 | 0.1 | 25 |
| MM3Z36 | 2Y | 36 | 34...38 | 2 | 90 | 2 | 0.1 | 27 |
| MM3Z39 | 2Z | 39 | 37...41 | 2 | 100 | 2 | 0.1 | 30 |
| MM3Z43 | 3A | 43 | 40...46 | 2 | 130 | 2 | 0.1 | 33 |
| MM3Z47 | 3B | 47 | 44...50 | 2 | 150 | 2 | 0.1 | 36 |
| MM3Z51 | 3C | 51 | 48...54 | 2 | 180 | 2 | 0.1 | 39 |
| MM3Z56 | 3D | 56 | 52...60 | 2 | 200 | 2 | 0.1 | 43 |
| MM3Z62 | 3E | 62 | 58...66 | 2 | 215 | 2 | 0.1 | 47 |
| MM3Z68 | 3F | 68 | 64...72 | 2 | 240 | 2 | 0.1 | 52 |
| MM3Z75 | 3H | 75 | 70...79 | 2 | 265 | 2 | 0.1 | 56 |

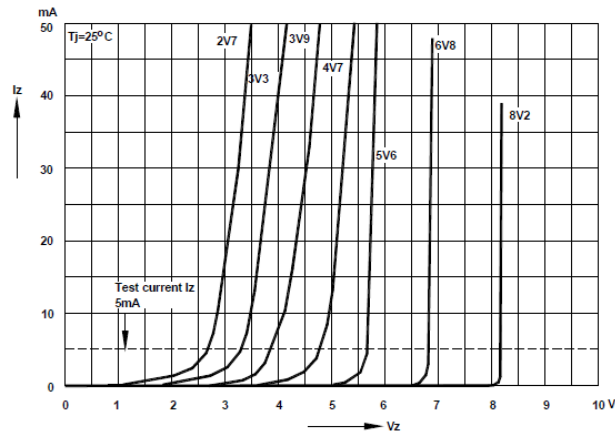
¹⁾ V_{ZT} is tested with pulses (20 ms).**Kingtronics**® International CompanyWebsite: www.kingtronics.com Email: info@kingtronics.com Tel: (852) 8106 7033 Fax: (852) 8106 7099

Kingtronics®

MM3Z2V0 THRU MM3Z75

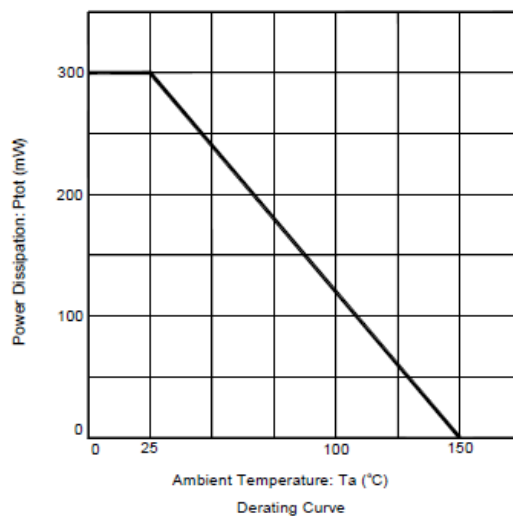
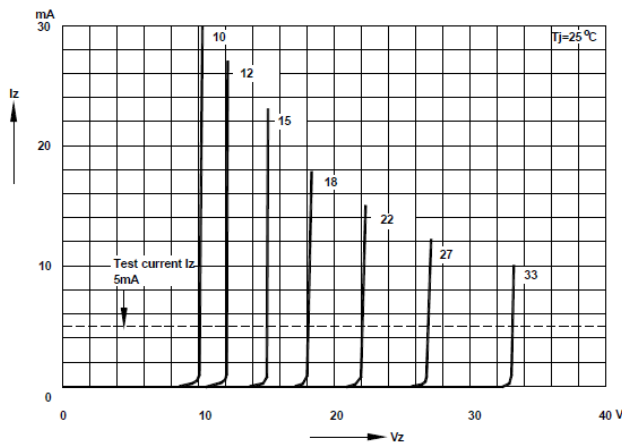
Breakdown characteristics

T_J = constant (pulsed)



Breakdown characteristics

T_J = constant (pulsed)



Kingtronics® International Company

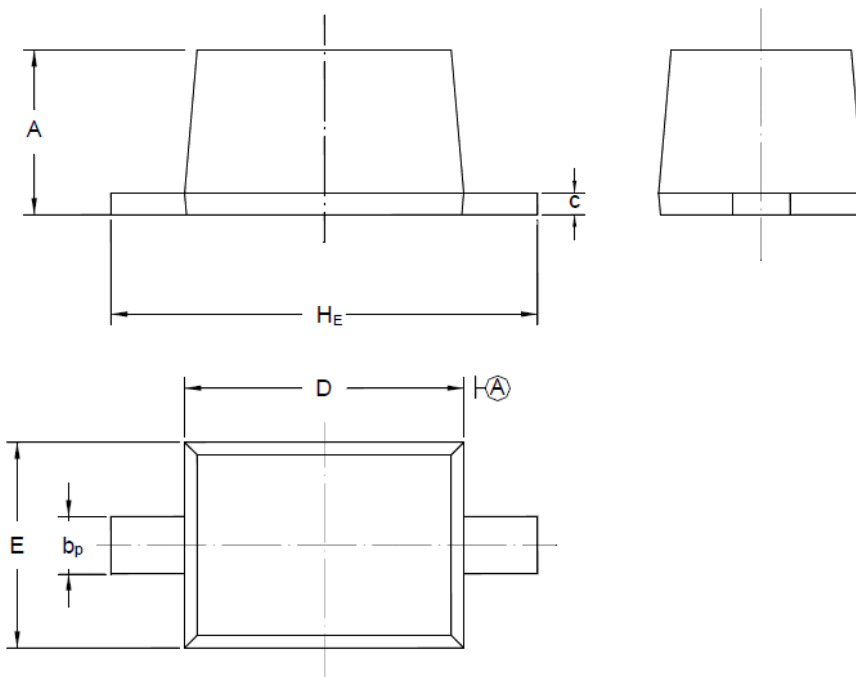
Kingtronics®

MM3Z2V0 THRU MM3Z75

PACKAGE OUTLINE

Plastic surface mounted package; 2 leads

SC-76



| UNIT | A | bp | C | D | E | HE |
|------|------|------|------|------|------|------|
| mm | 1.10 | 0.40 | 0.15 | 1.80 | 1.35 | 2.80 |
| | 0.80 | 0.25 | 0.10 | 1.60 | 1.15 | 2.30 |

Note: Specifications are subject to change without notice.

Kingtronics® International Company

Website: www.kingtronics.com Email: info@kingtronics.com Tel: (852) 8106 7033 Fax: (852) 8106 7099