

Kingtronics®

MB1F THRU MB10F

SURFACE MOUNT FAST SWITCHING RECTIFIER

REVERSE VOLTAGE 50 to 1000 Volts FORWARD CURRENT 1.0 Ampere

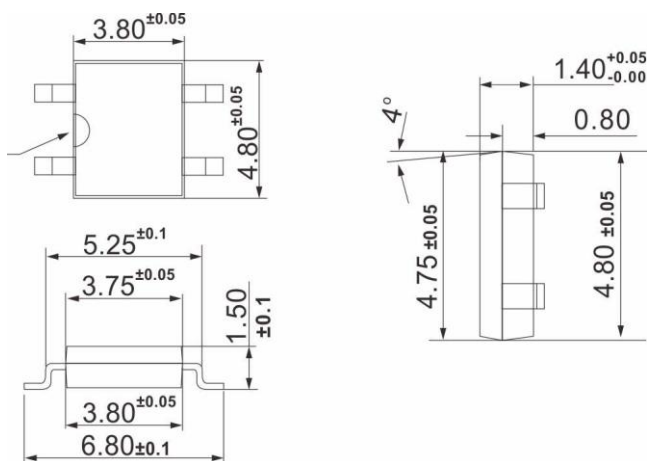
FEATURES

- Glass passivated chip junction
- Ideal for surface mounted applications
- Low leakage
- High forward surge current capability
- High temperature soldering guaranteed:
260°C/10 seconds at terminals

MECHANICAL DATA

- Case: Molded plastic body
- Epoxy: UL94V-0 rate flame retardant
- Polarity: Molded on body
- Lead: Plated terminals solderable per MIL-STD-202E method 208C
- Weight: 0.003 ounce, 0.1 gram

MBF



MAXIMUM RATINGS AND ELECTRICAL CHARACTERISTICS

Ratings at 25°C ambient temperature unless otherwise specified ,
Single phase, half wave, 60Hz, resistive or inductive load.
For capacitive load derate current by 20%

Dimensions in millimeters

PARAMETER	SYMBOL	MB1F	MB2F	MB3F	MB4F	MB6F	MB8F	MB10F	UNIT
Maximum Recurrent Peak Reverse Voltage	V_{RRM}	50	100	200	400	600	800	1000	V
Maximum RMS Voltage	V_{RMS}	35	70	140	280	420	560	700	V
Maximum DC Blocking Voltage	V_{DC}	50	100	200	400	600	800	1000	V
Maximum Average Forward Rectified Output Current, 0.06"(1.5mm) lead length at $T_A=40^\circ\text{C}$ (Note 2)	$I_{(AV)}$	1.0							A
Peak Forward Surge Current, 8.3ms single half-sine-wave superimposed on rated load (JEDEC method)	I_{FSM}	30							A
Rating for Fusing ($t < 8.3\text{ms}$)	I^2t	10							A^2s
Maximum Instantaneous Forward Voltage drop Per Bridge element 1.0A	V_F	1.1							V
Maximum DC Reverse Current at $T_A=25^\circ\text{C}$ at Rated DC Blocking voltage $T_A=125^\circ\text{C}$	I_R	5.0 0.5							uA mA
Typical Junction Capacitance (Note 1)	C_J	25							pF
Typical Thermal Resistance (Note 2)	$R_{\theta JC}$	40							$^\circ\text{C}/\text{W}$
Operating and Storage Temperature Range	T_J, T_{STG}	-55 to +150							$^\circ\text{C}$

1- Measured at 1.0MHz and applied reverse voltage of 4.0 Volts.

2- Unit mounted on P.C.B. with 0.95"×1.15" copper pads.

Kingtronics® International Company

RATINGS AND CHARACTERISTIC CURVES

FIG.1-FORWARD CURRENT DERATING CURVE

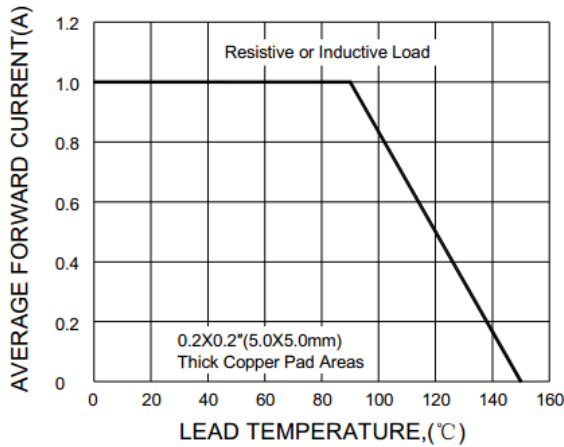


FIG.2-MAXIMUM NON-REPETITIVE PEAK FORWARD SURGE CURRENT

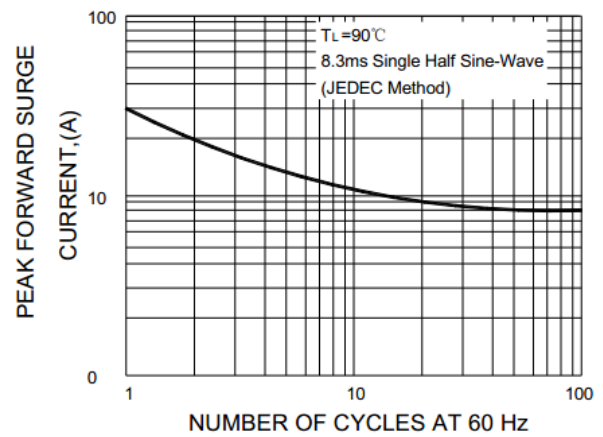


FIG.3-TYPICAL INSTANTANEOUS FORWARD CHARACTERISTICS

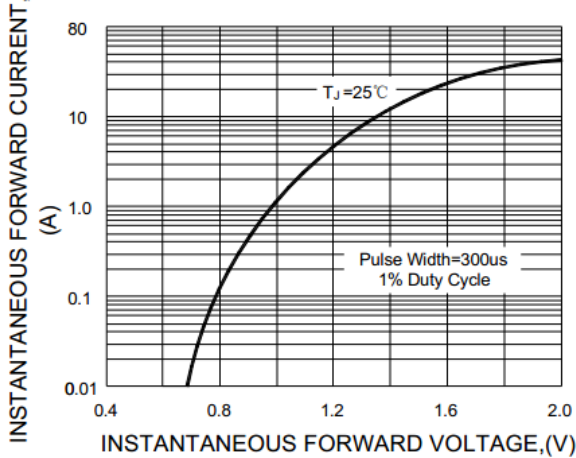


FIG.4-TYPICAL REVERSE CHARACTERISTICS

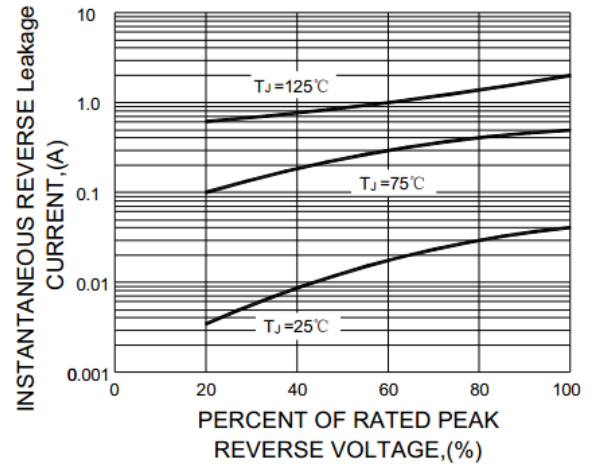
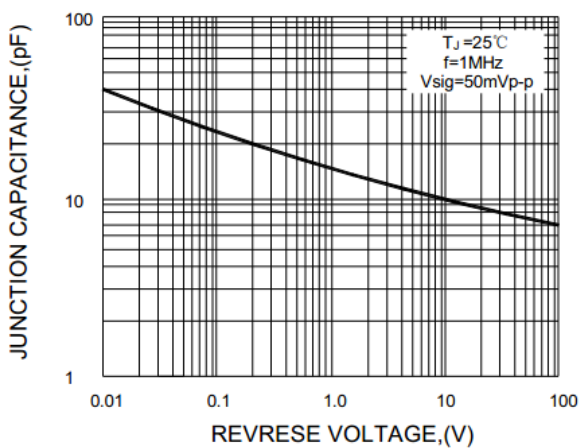


FIG.5-TYPICAL JUNCTION CAPACITANCE



Note: Specifications are subject to change without notice.