

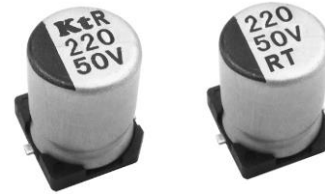
Kingtronics®

GKT-VR

Aluminum Electrolytic Capacitor – SMD

FEATURES

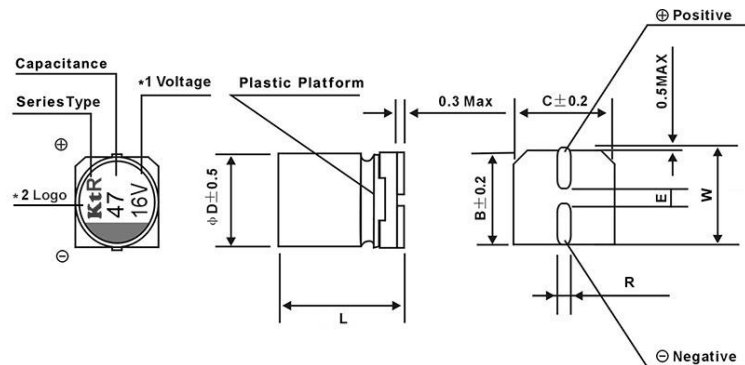
- ◆ 105°C 2,000 to 3,000hours
- ◆ Solvent proof (within 2 minutes)



SPECIFICATIONS

Rated Voltage (V)	-	6.3	10	16	25	35	50	
Surge Voltage (V)	Room temperature	8.0	13	20	32	44	63	
Category Temperature Range (°C)	-	-55 to +105						
Capacitance Tolerance (%)	120Hz/20°C	M : ±20						
Dissipation Factor (Tan δ)	tan δ (max) 120Hz/20°C	Φ4 to Φ6.3	0.30	0.24	0.22	0.20	0.18	0.16
		Φ8 to Φ10	0.32	0.26	0.24	0.22	0.20	0.18
		Exceeding 1,000µF, +0.02 every 1,000µF						
Leakage Current (LC)	µA/after 2minutes (max)	The greater value of either 0.01CV or 3µA						
Impedance Ratio at Low Temperature	Based on the value	-25°C	Z/Z20°C	4	3	2	2	2
	at 120Hz, +20°C	-55°C	Z/Z20°C	8	6	4	3	3
Endurance	105°C 2,000hours rated voltage applied (With the rated ripple current)	Test	6.3V.DC : 3,000hours, Φ8x10.5 and Φ10x10.5 : 3,000hours					
		ΔC/C	Within ±30% of the initial value					
		tanδ	Less than 300% of the specified value					
		LC	Less than the specified value					

DRAWING (Unit: mm)



ΦDxL	4x5.4	5x5.4	6.3x5.4	6.3x7.7	8x6.5	8x10.5	10x10.5
B	4.3	5.3	6.6	6.6	8.3	8.3	10.3
C	4.3	5.3	6.6	6.6	8.3	8.3	10.3
E±0.2	1.0	1.3	2.2	2.2	3.1	3.1	4.4
L±0.6	5.4	5.4	5.4	7.7	6.5	10.5	10.5
R	0.5to0.8	0.5to0.8	0.5to0.8	0.5to0.8	0.7to1.2	0.7to1.2	0.7to1.2
W	5.1	6.1	7.3	7.3	9.2	9.2	11.2

*1 Voltage mark for 6.3V is [6V] or [6.3V] *2 Kt logo mark for D:4mm & 5mm is [K] Product Markings: KtR, KR, RT

Please visit our website to get more update data, those data & specification are subject to change without notice.

Kingtronics® International Company

Website: www.kingtronics.com Email: info@kingtronics.com Tel: (852) 8106 7033 Fax: (852) 8106 7099

Kingtronics®**GKT-VR**

Aluminum Electrolytic Capacitor – SMD

FREQUENCY COEFFICIENT OF ALLOWABLE RIPPLE CURRENT

Frequency:F(Hz)		100≤F<1k	1k≤F<10k	10k≤F<100k	100k≤F
Capacitance:C (μF)	C≤ 100	1.00	1.30	1.50	1.80
	100<C≤ 330	1.00	1.20	1.30	1.45
	330<C	1.10	1.10	1.20	1.30

DIMENSIONS & MAXIMUM PERMISSIBLE RIPPLE CURRENT&ESR

WV		6.3		10		16		25		35		50	
Cap.μF		0J		1A		1C		1E		1V		1H	
10	100											4x5.8 (5x5.8)	30 (55)
22	220									4x5.8	55	5x5.8	55
33	330							4x5.8	60	5x5.8	85		
47	470					4x5.8	60	5x5.8	95	5x5.8	95	6.3x5.8	75
68	680			4x5.8	60	5x5.8	95	5x5.8	95	6.3x5.8	120		
100	101	4x5.8	60			5x5.8	95	6.3x5.8	120	6.3x5.8	120	6.3x7.7	140
150	151			5x5.8	95	6.3x5.8	120	6.3x7.7	240	6.3x7.7	240		
220	221	5x5.8	95	6.3x5.8	180	6.3x5.8	180	6.3x7.7	360			8x10.5	400
330	221	6.3x5.8	180	6.3x7.7	360	6.3x7.7	360			8x10.5	510	10x10.5	270
390	391							8x10.5	510	8x10.5	510		
470	471	6.3x7.7	360	6.3x7.7	360	8x6.5	360	8x10.5	510				
560	561							8x10.5	510	10x10.5	660		
680	681	6.3x7.7	360			8x10.5	510			10x10.5	710		
820	821					8x10.5	510	10x10.5	710				
1000	102			8x10.5	510	10x10.5	710	10x10.5	710				
1200	122					10x10.5	710						
1500	152	8x10.5	510	10x10.5	710								
2200	222	10x10.5	710									Case size	Rated ripple current

Case Size ΦD×L(mm),ripple current(mA rms) at 105℃ 120Hz

Please visit our website to get more update data, those data & specification are subject to change without notice.

Kingtronics® International CompanyWebsite: www.kingtronics.comEmail: info@kingtronics.com

Tel: (852) 8106 7033

Fax: (852) 8106 7099

Kingtronics®

GKT-VR

Aluminum Electrolytic Capacitor – SMD

HOW TO ORDER

<u>GKT</u>	<u>VR</u>	<u>0J</u>	<u>M</u>	<u>220</u>	<u>040054</u>	<u>T</u>	<u>R</u>
Series	Sub Series	Voltage	Capacitance Tolerance	Capacitance	Case Size	Packing	Pb
		1.	2.	3.	4.	5.	6.

NOTE:

1. Rated Voltage

Code	0G	0J	1A	1C	1E	1V	1H	1J	2A
Voltage	4	6.3	10	16	25	35	50	63	100

2. Capacitance Tolerance

Code	K	M	Q	T
Tolerance	±10%	±20%	+30-10%	+50-10%

3. Capacitance

Code	0R1	R47	010	4R7	100	470	101	471	102	472	103
Capacitance (µF)	0.1	0.47	1	4.7	10	47	100	470	1000	4700	10000

4. Case Size

Code	040054	050054	063054	080105	100105	125135	160215
Case Size (mm)	4x5.4	5x5.4	6.3x5.4	8x10.5	10x10.5	12.5x13.5	16x21.5

5. Packing

Code	T
Packing	Tape & Reel

6. Pb

Code	R
Pb	RoHS

Note: Specifications are subject to change without notice.

Kingtronics® International Company

Website: www.kingtronics.com Email: info@kingtronics.com Tel: (852) 8106 7033 Fax: (852) 8106 7099