

Kingtronics®**1N4148WS**Silicon Epitaxial Planar
Switching Diode**FEATURES**

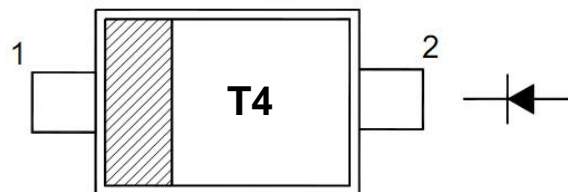
SC-76 package

Fast switching

These diodes are also available in other case style including the DO-35 case with the type designation 1N4148, the Mini MELF case with the type designation LL4148 and the Micro MELF case with the type designation MCL4148.

PINNING

PIN	DESCRIPTION
1	Cathode
2	Anode



Top View

Marking Code: "T4"

Simplified outline SC-76 and symbol

Absolute Maximum Ratings (Ta = 25°C)

PARAMETER	SYMBOL	VALUE	UNIT
Peak Reverse Voltage	V_{RM}	100	V
Reverse Voltage	V_R	75	V
Average Rectified Forward Current	$I_F (AV)$	150	mA
Surge Forward Current	I_{FSM}	2 1	A
Power Dissipation	P_{tot}	200	mW
Thermal Resistance from Junction to Ambient Air	$R_{\theta JA}$	625	°C/W
Junction Temperature	T_j	150	°C
Storage Temperature Range	T_{stg}	- 65 to + 150	°C

Characteristics at Ta = 25°C

PARAMETER	SYMBOL	Min.	Max.	UNIT
Reverse Breakdown Voltage at $I_R = 1 \mu A$	$V_{(BR)R}$	75	-	V
Forward Voltage				
at $I_F = 1 \text{ mA}$		-	0.715	
at $I_F = 10 \text{ mA}$	V_F	-	0.855	V
at $I_F = 50 \text{ mA}$		-	1	
at $I_F = 150 \text{ mA}$		-	1.25	
Peak Reverse Current				
at $V_R = 75 \text{ V}$		-	1	μA
at $V_R = 20 \text{ V}$	I_R	-	25	nA
at $V_R = 75 \text{ V}, T_j = 150^\circ C$		-	50	μA
at $V_R = 25 \text{ V}, T_j = 150^\circ C$		-	30	μA
Total Capacitance at $V_R = 0 \text{ V}, f = 1 \text{ MHz}$	C_T	-	2	pF
Reverse Recovery Time at $I_{rr} = 0.1 \times I_R, I_F = I_R = 10 \text{ mA}, R_L = 100 \Omega$	t_{rr}	-	4	ns

Kingtronics® International Company

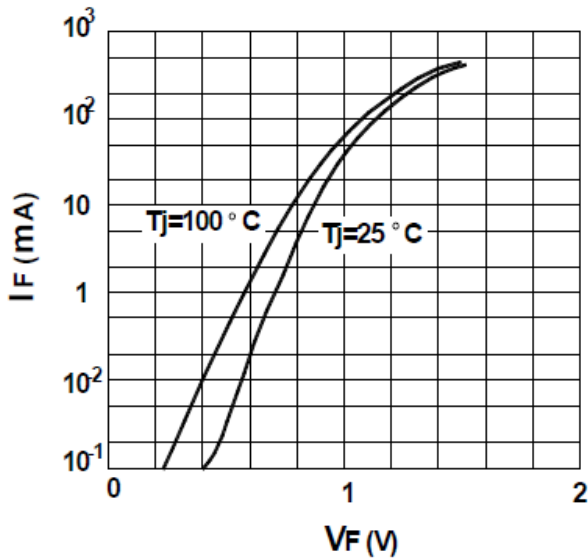
Kingtronics®

1N4148WS

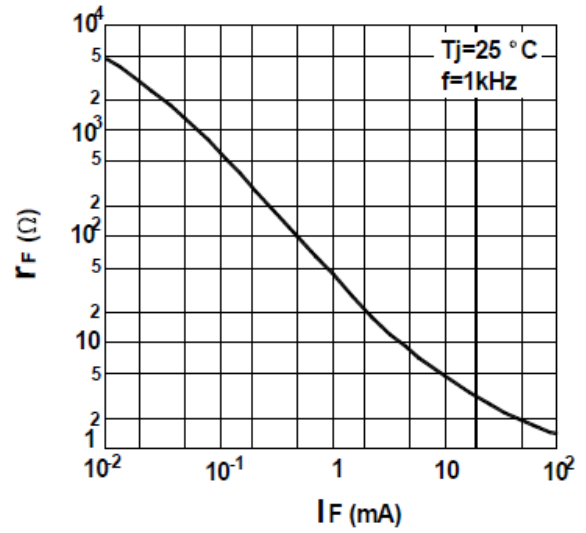
Silicon Epitaxial Planar
Switching Diode

RATINGS AND CHARACTERISTIC CURVES 1N4148WS

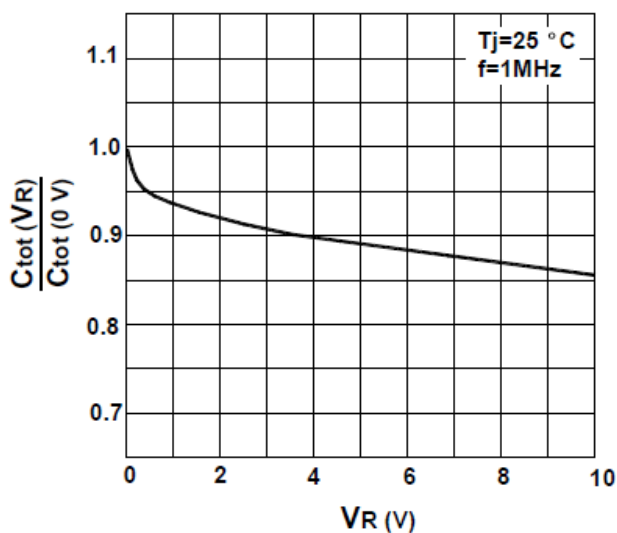
Forward characteristics



Dynamic forward resistance vs. forward current



Reverse capacitance vs. reverse voltage



Kingtronics® International Company

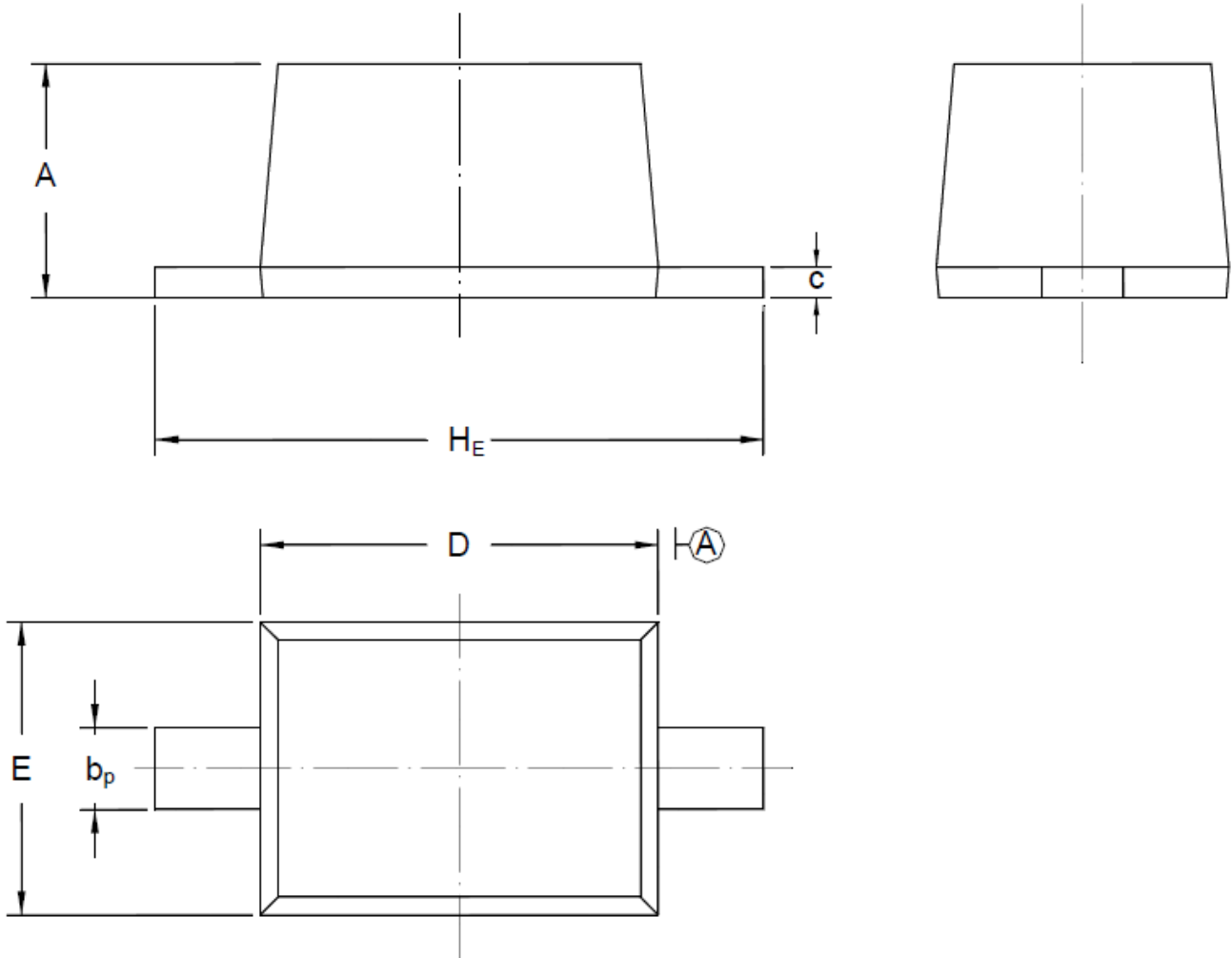
Kingtronics®

1N4148WS

Silicon Epitaxial Planar
Switching Diode

SC-76 PACKAGE OUTLINE

Plastic surface mounted package; 2 leads



UNIT	A	b _p	C	D	E	H _E
mm	1.10 0.80	0.40 0.25	0.15 0.10	1.80 1.60	1.35 1.15	2.80 2.30

Note: Specifications are subject to change without notice.

Kingtronics® International Company

Website: www.kingtronics.com Email: info@kingtronics.com Tel: (852) 8106 7033 Fax: (852) 8106 7099